

For wood, concrete and steel attachments see Roof Anchorage Detail, Form No. CB-24A.

**STRUCTURALLY CALCULATED VIBRATION ISOLATION CURBS FOR YORK UNITS**

ZR 036-060, XP 036-060, ZF 036-072

ProVent P/N (2" Deflection)	A	B	WEIGHT
ISCALSUN367218**	8"	18"	354 Lbs
ISCALSUN367221**	11"	21"	368 Lbs
ISCALSUN367224**	14"	24"	383 Lbs

ProVent P/N (3" Deflection)	A	B	WEIGHT
ISCALSUN3672193**	8"	19"	404 Lbs
ISCALSUN3672223**	11"	22"	418 Lbs
ISCALSUN3672253**	14"	25"	433 Lbs

**\*\*Note:** Spring configuration must be added to part number at time of order.

**Meets seismic requirements for the following codes:**  
CBC 2013  
IBC 2012

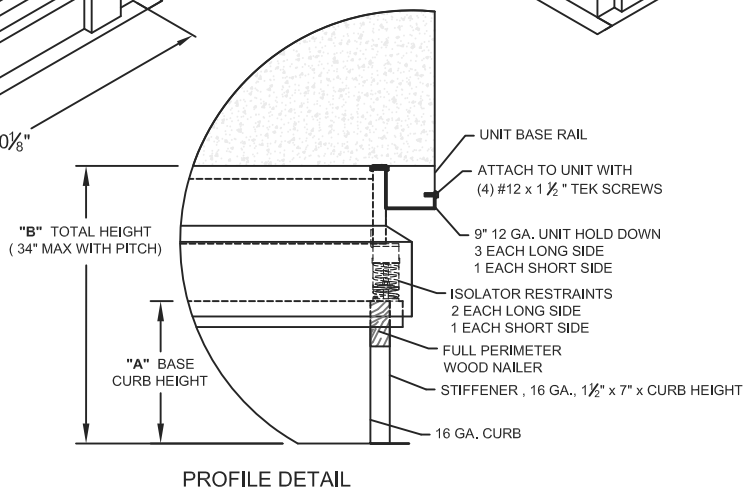
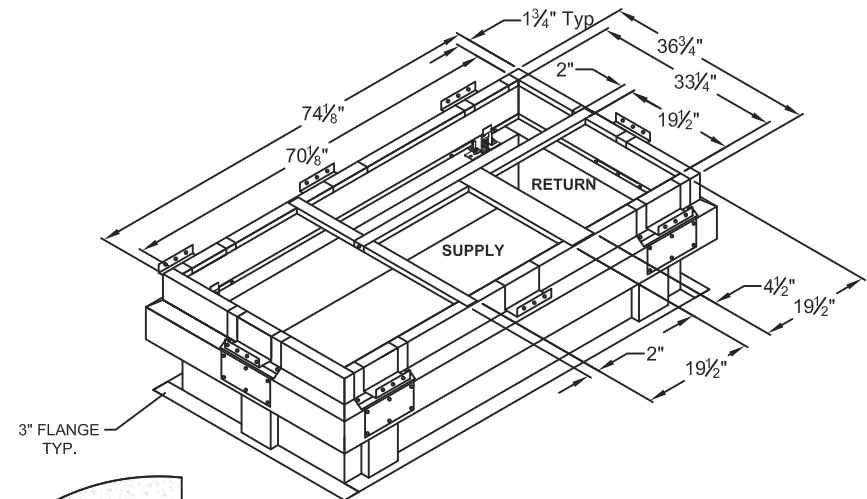
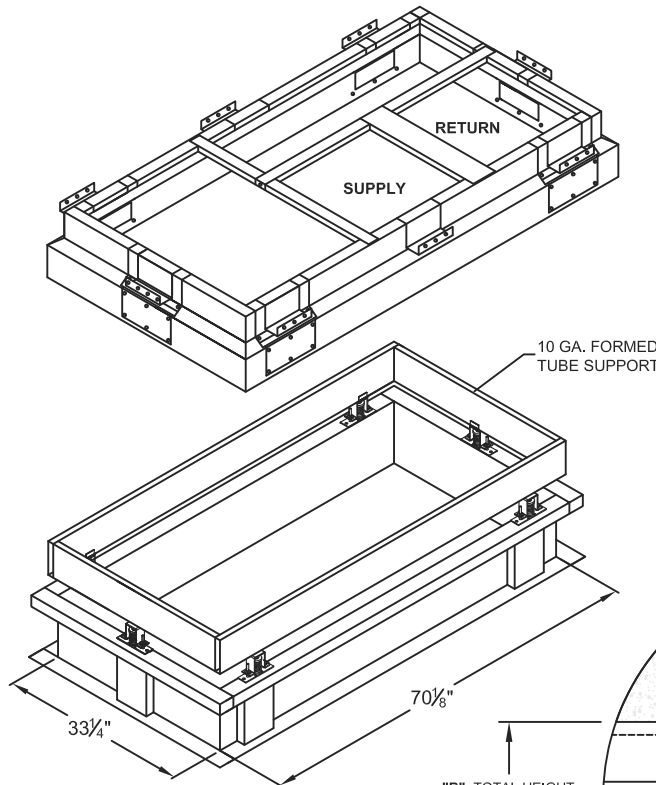
Welded isolation spring housings are standard. For bolted spring housings, neoprene pads and spring cups see Weldment and Bolting Detail, Form No. ISCAL-131.

**FEATURES**

- Roof curb sides and ends are 16 ga. galvanized steel.
- Fully welded construction.
- Gasketing package provided.
- Heat treated wood nailer provided.
- Insulated deck pans provided.
- Pitched curbs and taller curbs are available.
- CalDyn OSHPD pre-approved 2" or 3" deflection seismic restraints. (OPA-0070), (JQA).

**NOTES**

- Attach ductwork to roof curb. Flanges of duct rest on top of curb. Support ductwork below the curb.



3847 WABASH DR.  
MIRA LOMA, CA 91725  
  
PHONE (951) 685-1101  
FAX (619) 872-9799

SUBMITTED TO: \_\_\_\_\_  
COMPANY: \_\_\_\_\_  
JOB NAME: \_\_\_\_\_  
EQUIPMENT: \_\_\_\_\_  
NOTES: \_\_\_\_\_

FORM NO:  
ISCAL-126  
  
DATE:  
7/22/14

PART NUMBER:  
ISCALSUN3672 SERIES  
  
DRAWN BY:  
JG