

For wood, concrete and steel attachments see Roof Anchorage Detail, Form No. CB-24A.

Welded isolation spring housings are standard. For bolted spring housings, neoprene pads and spring cups see Weldment and Bolting Detail, Form No. ISCAL-131.

FEATURES

- Roof curb sides and ends are 14 ga. galvanized steel.
- Fully welded construction.
- Gasketing package provided.
- Heat treated wood nailer provided.
- Insulated deck pans provided.
- Pitched curbs and taller curbs are available.
- CalDyn OSHPD pre-approved 2" or 3" deflection seismic restraints. (OPA-0070), (JQB).

NOTES

- Attach ductwork to roof curb. Flanges of duct rest on top of curb. Support ductwork below the curb.
- Thru the curb utilities are available. Contact your York distributor or ProVent directly.

STRUCTURALLY CALCULATED VIBRATION ISOLATION CURBS FOR YORK UNITS

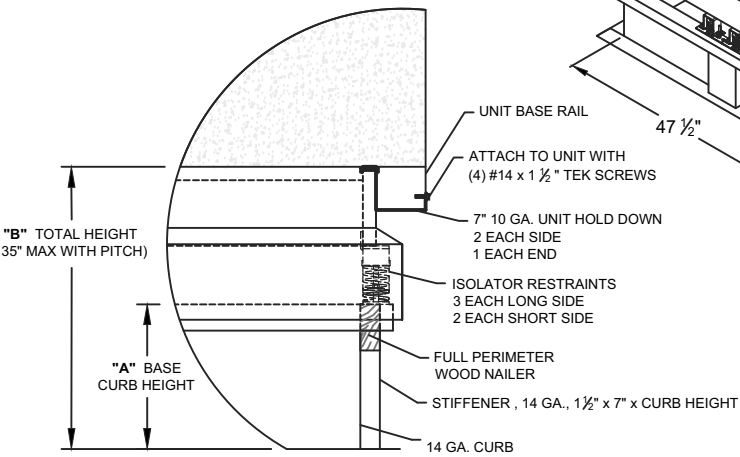
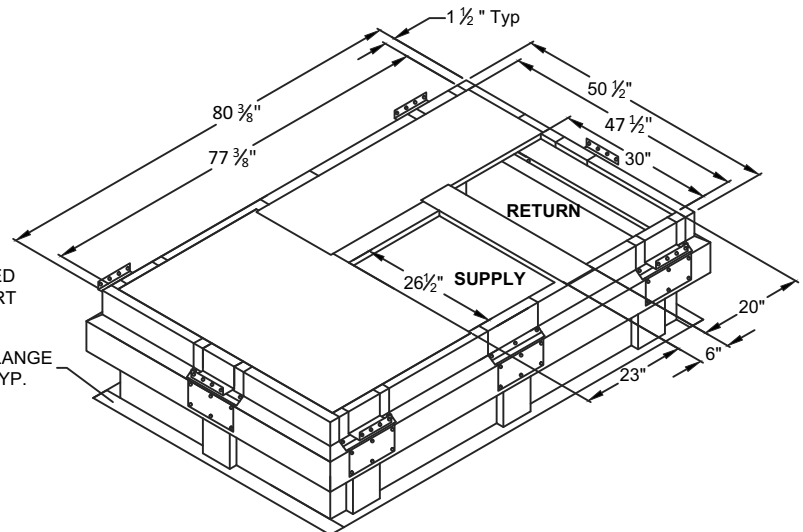
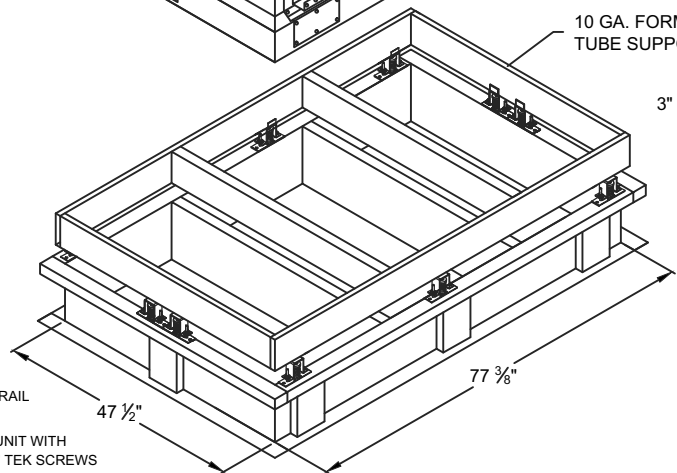
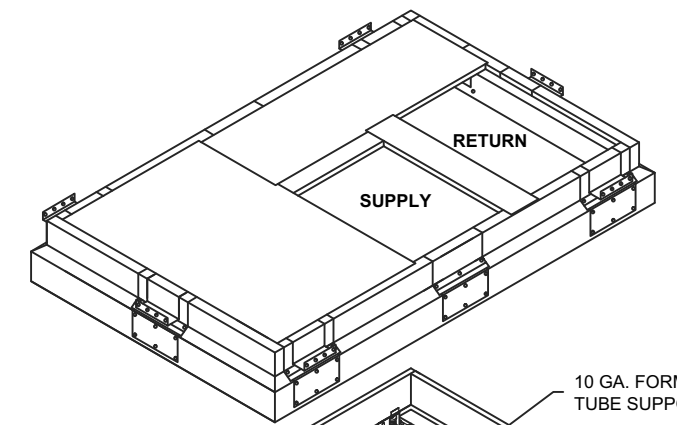
ZT, ZR, ZJ 037-150
ZF, ZH, ZJ, ZR, XP, DH, DM, DF, DR, BP 078-150

ProVent P/N (2" Deflection)	A	B	Wt.
ISCALPRD371519**	8"	19"	494 Lbs
ISCALPRD371522**	11"	22"	511 Lbs
ISCALPRD371525**	14"	25"	528 Lbs

ProVent P/N (3" Deflection)	A	B	Wt.
ISCALPRD3715193**	8"	19"	494 Lbs
ISCALPRD3715223**	11"	22"	511 Lbs
ISCALPRD3715253**	14"	25"	528 Lbs

****Note:** Spring configuration must be added to part number at time of order.

Meets seismic requirements for the following codes:
CBC 2013
IBC 2012



PROFILE DETAIL

** UNITS UNDER 1280 LBS (2) ISOLATOR RESTRAINTS, OVER 1280 LBS (3) ISOLATOR RESTRAINTS



3847 WABASH DR.
MIRA LOMA, CA 91725

PHONE (951) 685-1101
FAX (619) 872-9799

SUBMITTED TO: _____
COMPANY: _____
JOB NAME: _____
EQUIPMENT: _____
NOTES: _____

FORM NO:
ISCAL-127

DATE:
7/22/14

REV:
2

PART NUMBER:
ISCALPRD3715 SERIES

DRAWN BY:
JG