

For wood, concrete, and steel attachments, see Roof Anchorage Detail Forms CB-27, CB-28
 Welded Isolation spring housings are standard. For bolted spring housings, neoprene pads, and spring cups, see Weldment and Bolting Detail, Form No ISCAL-135

STRUCTURALLY CALCULATED VIBRATION ISOLATION ROOF CURB FOR YORK UNITS

ZX, ZY 08-12; ZX 14; ZY 07

PROVENT P/N	A	B	WEIGHT
ISCALPRL19**	8"	19"	384 Lbs.
ISCALPRL22**	11"	22"	398 Lbs.
ISCALPRL25**	14"	25"	414 Lbs.

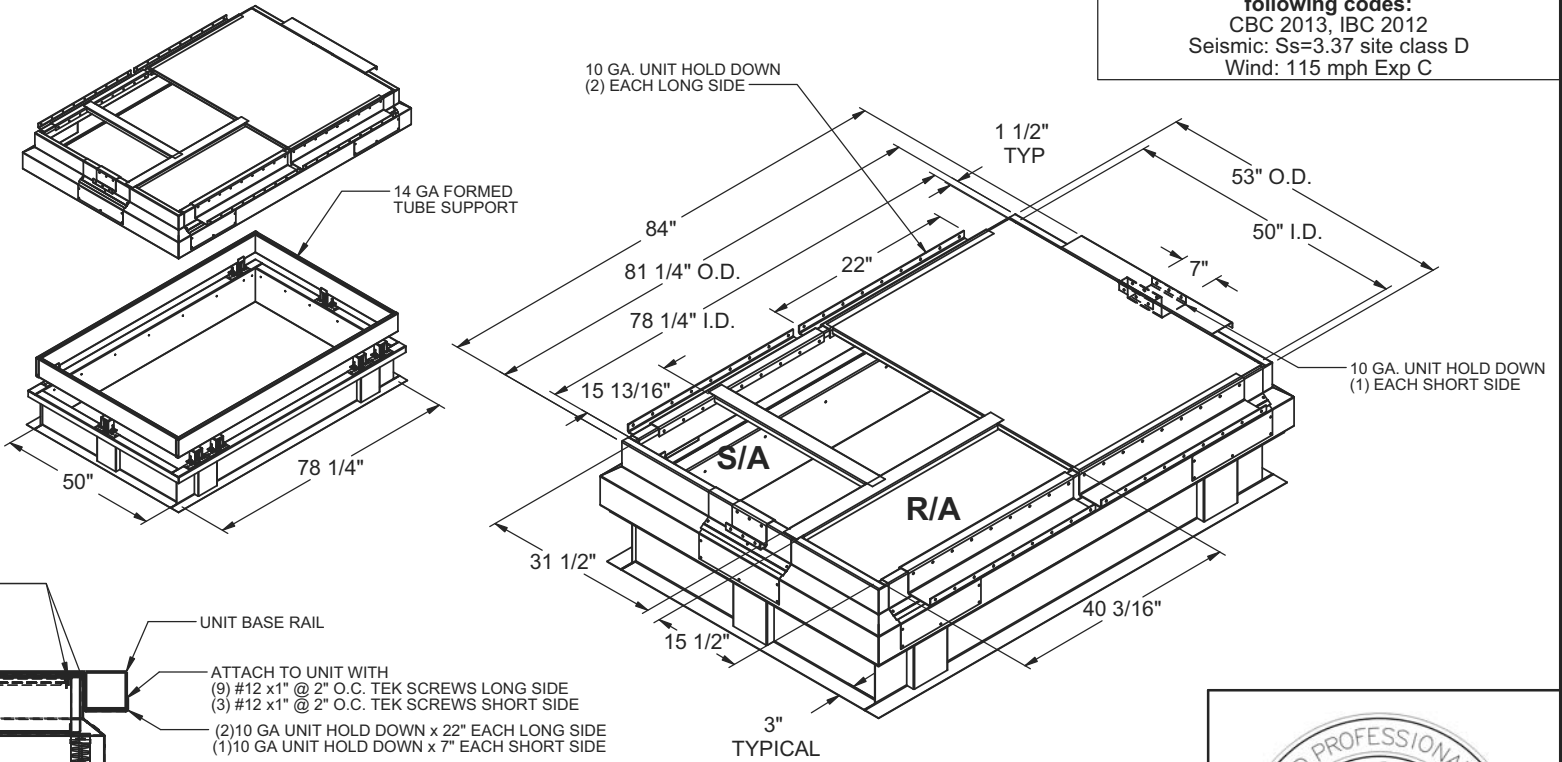
****Note:** Spring configuration must be added to part number at time of order.
Meet seismic requirements for the following codes:
 CBC 2013, IBC 2012
 Seismic: Ss=3.37 site class D
 Wind: 115 mph Exp C

FEATURES:

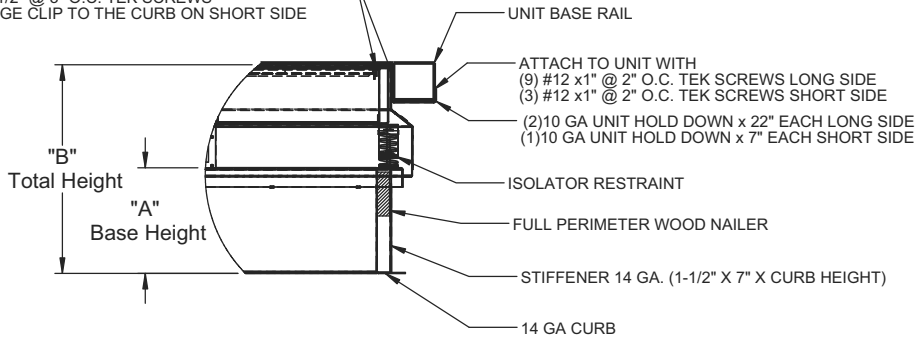
- Roof curb sides and ends are 14 ga. galvanized steel.
- Fully welded construction.
- Gasketing package provided.
- Heat treated wood nailer provided.
- Insulated deck pan provided.
- Pitched curbs and taller curbs are available.
- CalDyn OSHPD pre-approved 2" deflection seismic restraints. (OPA-0070) JQA.

NOTES

Attach ductwork to roof curb. Flanges of duct rest on top of curb. Support ductwork below the curb.



- ATTACH TO CURB WITH
 (9) #12 x 1/2" 4" O.C. TEK SCREWS
 EA FLANGE CLIP TO THE CURB ON LONG SIDE
- (3) #12 x 1/2" @ 3" O.C. TEK SCREWS
 EA FLANGE CLIP TO THE CURB ON SHORT SIDE



SIDE VIEW DETAIL



	3847 WABASH DR. MIRA LOMA, CA 91752	PHONE (951) 685-1101 FAX (619) 872-9799	JOB NAME: _____	FORM NO: ISCAL-134	PART NUMBER: ISCALPRL SERIES
			ADDRESS: _____	DATE: 12/16/2014	REV: 5
NOTES: _____			_____	_____	DRAWN BY: JG