

For wood, concrete and steel attachments see Roof Anchorage Detail, Form No. CB-24A.

STRUCTURALLY CALCULATED VIBRATION ISOLATION CURBS FOR YORK UNITS

ProVent P/N (2" Deflection)	A	B	WEIGHT
ISCALLXS18**	8"	18"	158 Lbs
ISCALLXS21**	11"	21"	176 Lbs
ISCALLXS24**	14"	24"	194 Lbs

PCG4A, PCE4A 024-042 / PHE4A, PHG4A 024-030

Welded isolation spring housings are standard. For bolted spring housings, neoprene pads and spring cups see Weldment and Bolting Detail, Form No. ISCAL-131.

****Note:** Spring configuration must be added to part number at time of order.

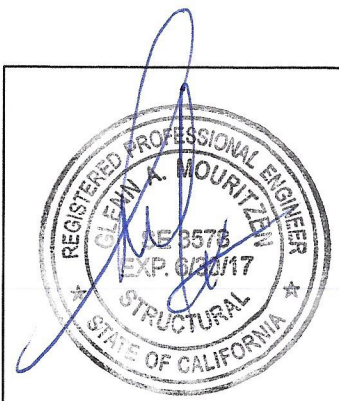
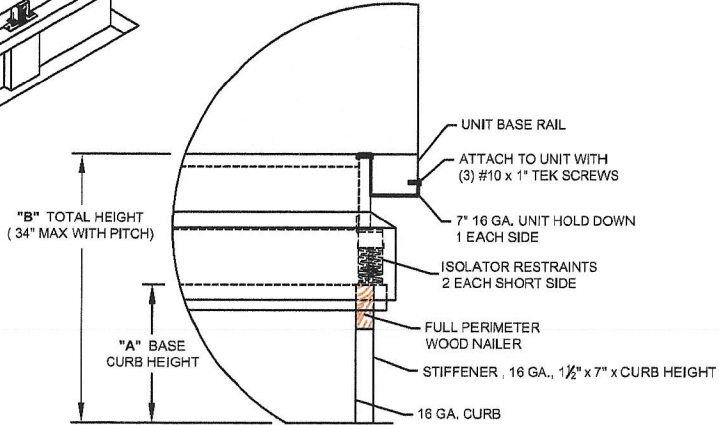
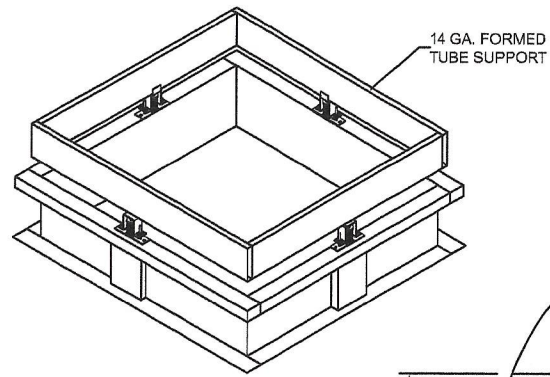
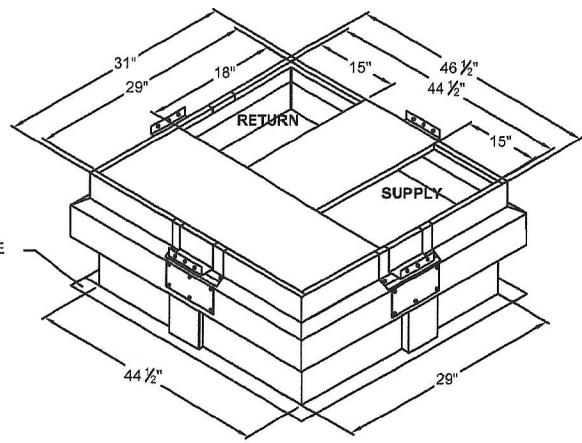
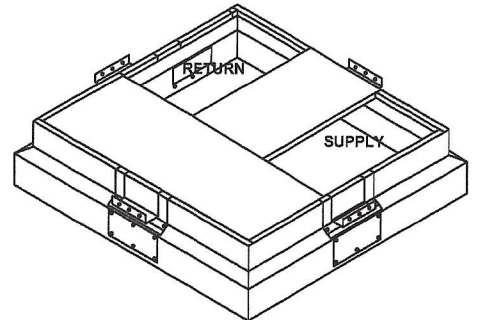
Meets seismic requirements for the following codes:
CBC 2013
IBC 2012

FEATURES

- Roof curb sides and ends are 16 ga. galvanized steel.
- Fully welded construction.
- Gasketing package provided.
- Insulated deck pans provided
- Heat treated wood nailer provided.
- Pitched curbs and taller curbs are available.
- CalDyn OSHPD pre-approved 2" or 3" deflection seismic restraints. (OPA-0070), (JQA).

NOTES

- Attach ductwork to roof curb. Flanges of duct rest on top of curb. Support ductwork below the curb.
- Thru the curb utilities are available. Contact your York distributor or ProVent directly.



3847 WABASH DR.
MIRA LOMA, CA 91725

PHONE (951) 685-1101
FAX (619) 872-9799

SUBMITTED TO: _____
COMPANY: _____
JOB NAME: _____
EQUIPMENT: _____
NOTES: _____

FORM NO:
ISCAL-139

DATE:
09/21/15

REV:
3

PART NUMBER:
ISCALLXS SERIES

DRAWN BY:
CNG