

For wood, concrete and steel attachments see Roof Anchorage Detail, Form No. CB-24A.

**STRUCTURALLY CALCULATED VIBRATION ISOLATION CURBS FOR YORK UNITS**

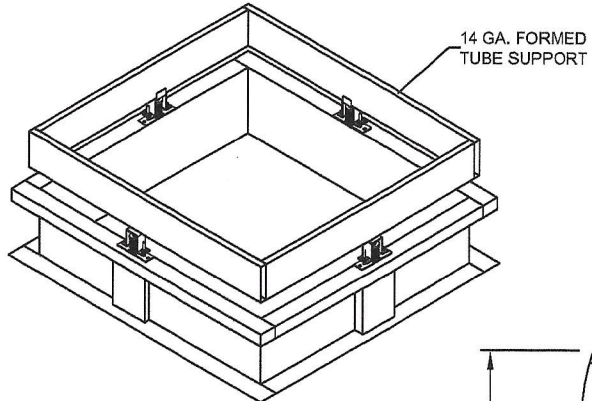
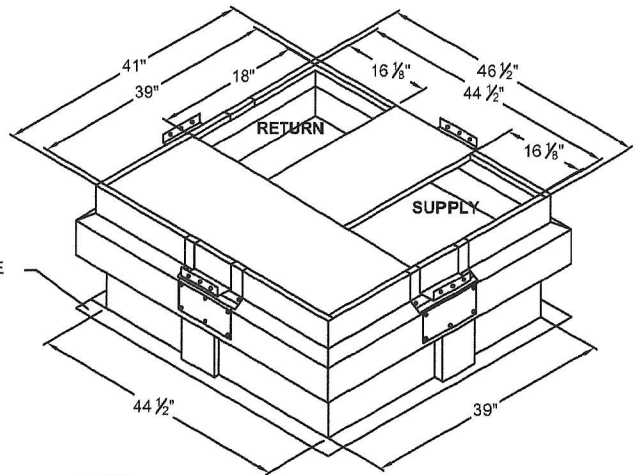
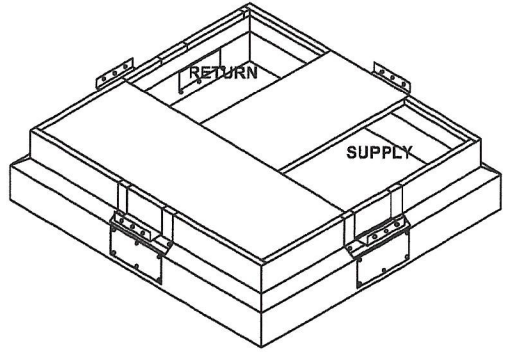
ProVent P/N (2" Deflection)	A	B	WEIGHT
ISCALLXL18**	8"	18"	168 Lbs
ISCALLXL21**	11"	21"	186 Lbs
ISCALLXL24**	14"	24"	204 Lbs

**PCG4B, PCE4B 048-060 / PHE4B, PHG4B 036-060**

Welded isolation spring housings are standard. For bolted spring housings, neoprene pads and spring cups see Weldment and Bolting Detail, Form No. ISCAL-131.

\*\*Note: Spring configuration must be added to part number at time of order.

Meets seismic requirements for the following codes:  
CBC 2013  
IBC 2012



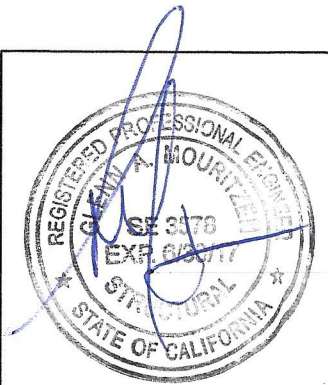
3" FLANGE TYP.

"B" TOTAL HEIGHT (34" MAX WITH PITCH)

"A" BASE CURB HEIGHT

- UNIT BASE RAIL
- ATTACH TO UNIT WITH (3) #10 x 1" TEK SCREWS
- 7" 16 GA. UNIT HOLD DOWN 1 EACH SIDE
- ISOLATOR RESTRAINTS 2 EACH SHORT SIDE
- FULL PERIMETER WOOD NAILER
- STIFFENER, 16 GA., 1 1/2" x 7" x CURB HEIGHT
- 16 GA. CURB

PROFILE DETAIL



**FEATURES**

- Roof curb sides and ends are 16 ga. galvanized steel.
- Fully welded construction.
- Gasketing package provided.
- Insulated deck pans provided.
- Heat treated wood nailer provided.
- Pitched curbs and taller curbs are available.
- CalDyn OSHPD pre-approved 2" or 3" deflection seismic restraints. (OPA-0070), (JQA).

**NOTES**

- Attach ductwork to roof curb. Flanges of duct rest on top of curb. Support ductwork below the curb.
- Thru the curb utilities are available. Contact your York distributor or ProVent directly.



3847 WABASH DR.  
MIRA LOMA, CA 91725  
  
PHONE (951) 685-1101  
FAX (619) 872-9799

SUBMITTED TO: \_\_\_\_\_  
COMPANY: \_\_\_\_\_  
JOB NAME: \_\_\_\_\_  
EQUIPMENT: \_\_\_\_\_  
NOTES: \_\_\_\_\_

FORM NO:  
ISCAL-140  
  
DATE:  
09/21/15

REV:  
3

PART NUMBER:  
ISCALLXL SERIES  
  
DRAWN BY:  
CNG