

For wood, concrete and steel attachments see Roof Anchorage Detail, Form No. CB-24A.

Welded isolation spring housings are standard. For bolted spring housings, neoprene pads and spring cups see Weldment and Bolting Detail, Form No. ISCAL-131.

**FEATURES**

- Roof curb sides and ends are 14 ga. galvanized steel.
- Fully welded construction.
- Gasketing package provided.
- Heat treated wood nailer provided.
- Insulated deck pans provided.
- Pitched curbs and taller curbs are available.
- CalDyn OSHPD pre-approved 2" or 3" deflection seismic restraints. (OPA-0070), (JQB).
- Optional bottom bumper CalDyn #KT-382B, with a 1/2" washer and nut installed on seismic restraints.

**NOTES**

- Attach ductwork to roof curb. Flanges of duct rest on top of curb. Support ductwork below the curb.

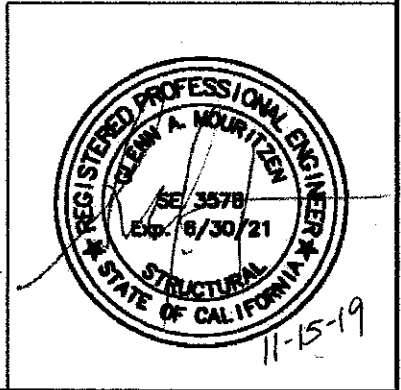
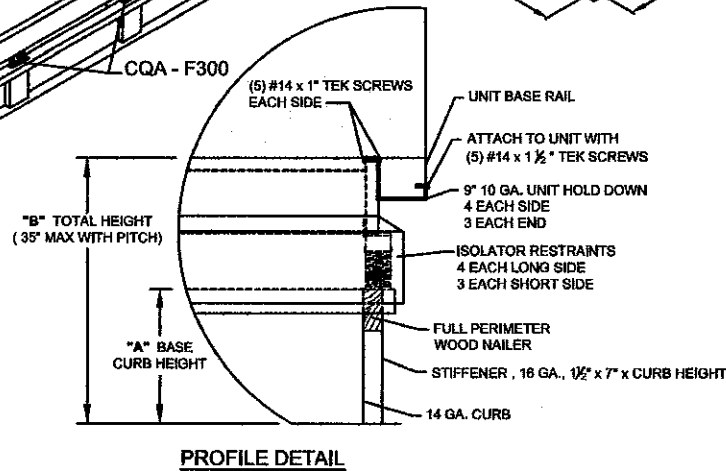
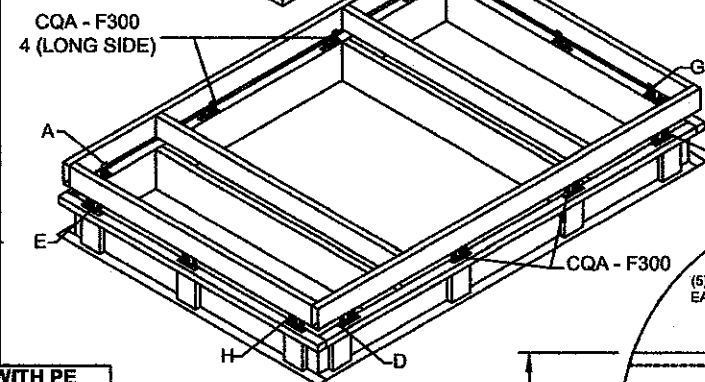
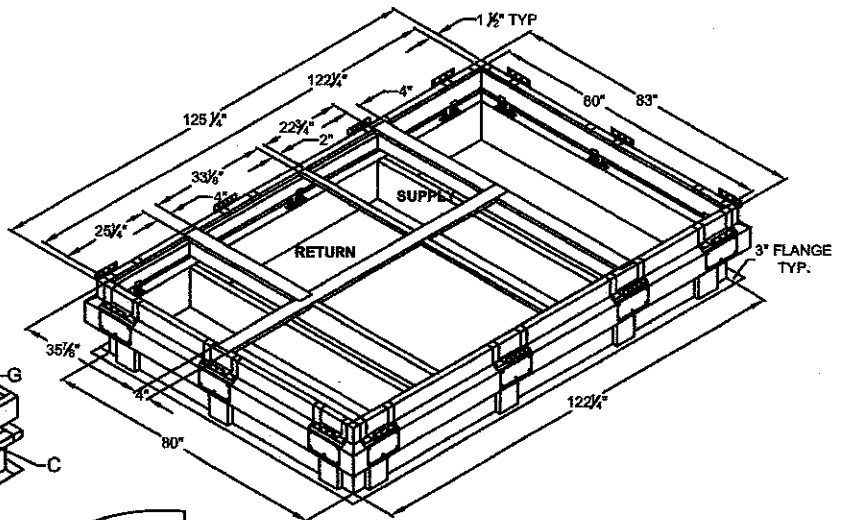
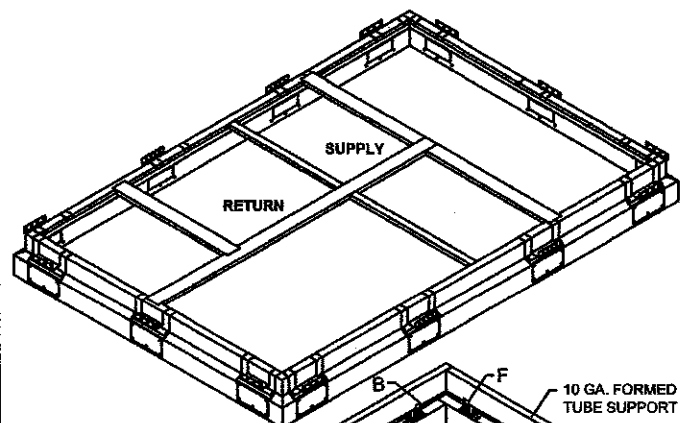
**STRUCTURALLY CALCULATED VIBRATION ISOLATION CURBS FOR YORK UNITS**

ZJ/ZR 180-300: ZF 210-300: XP 180-240

| ProVent P/N<br>(2" Deflection) | A   | B   | WEIGHT  | ProVent P/N<br>(3" Deflection) | A   | B   | WEIGHT  |
|--------------------------------|-----|-----|---------|--------------------------------|-----|-----|---------|
| ISCALSLM183019**               | 8"  | 19" | 825 Lbs | ISCALSLM1830193**              | 8"  | 19" | 825 Lbs |
| ISCALSLM183022**               | 11" | 22" | 855 Lbs | ISCALSLM1830223**              | 11" | 22" | 855 Lbs |
| ISCALSLM183025**               | 14" | 25" | 885 Lbs | ISCALSLM1830253**              | 14" | 25" | 885 Lbs |

\*\*Note: Spring configuration must be added to part number at time of order.

Meets seismic requirements for the following codes:  
CBC 2019  
IBC 2018



| CORNER | ZF      | XP 180-240     | WITH PE    | WITH PE                   |
|--------|---------|----------------|------------|---------------------------|
|        | 210-300 | ZJ, ZR 180-300 | ZF 210-300 | XP 180-240 ZJ, ZR 180-300 |
| A      | 348-171 | 241-241        | 348        | 348                       |
| B      | 590     | 453-171        | 453-171    | 453-171                   |
| C      | 453     | 453-171        | 348-171    | 453-171                   |
| D      | 453-171 | 241-241        | 348-171    | 348-171                   |
| E      | 348     | 241            | 348-171    | 348-171                   |
| F      | 348     | 453-171        | 348        | 453-171                   |
| G      | 453-171 | 453-171        | 453-171    | 453-171                   |
| H      | 348     | 241            | 453-171    | 348                       |



3847 WABASH DRIVE  
MIRA LOMA, CA 91725  
PHONE (951) 685-1101  
FAX (619) 872-9799

SUBMITTED TO: \_\_\_\_\_  
COMPANY: \_\_\_\_\_  
JOB NAME: \_\_\_\_\_  
EQUIPMENT: \_\_\_\_\_  
NOTES: \_\_\_\_\_

FORM NO:  
ISCAL-129  
DATE:  
11/13/19  
REV:  
7

PART NUMBER:  
ISCALSLM1830 SERIES  
DRAWN BY:  
ALL