

FEATURES

- 1/2" Bars Welded 6" on Center.
- Fully Welded Construction

ROOF CURB BURGLAR BAR INSERTS FOR YORK UNITS

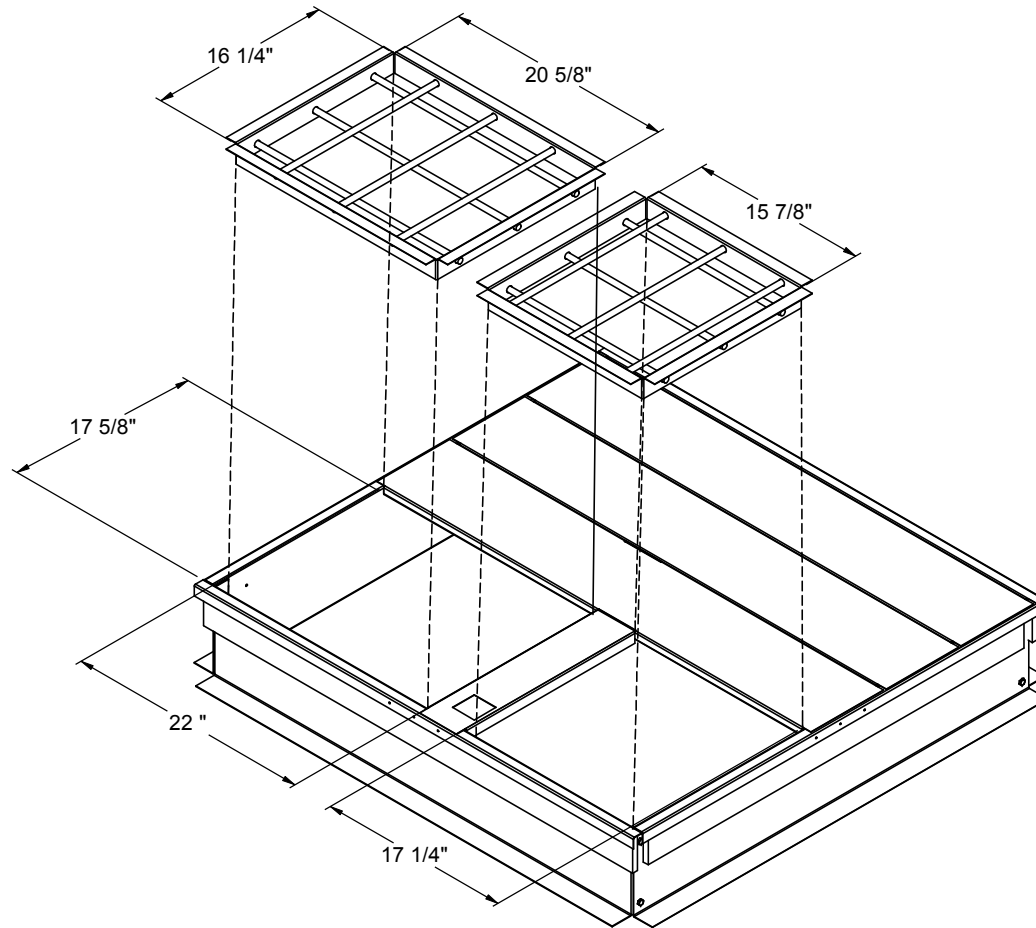
**DEB/DNZ/DEZ/DNP/DEM/BHH/BHA/BHZ/BHP 018-060:
DEX/DNH/DEH/DNA/DNY/DNX/BHX 024-060: DEY 060**

PROVENT P/N:

Wt.

BBARAFF1860

18 Lbs



1392 EAST PALOMAR STREET
SUITE 403-234
CHULA VISTA, CA 91913

PHONE (619) 498-9246
FAX (619) 872-9799

SUBMITTED TO: _____

COMPANY: _____

JOB NAME: _____

EQUIPMENT: _____

NOTES: _____

FORM NO:

BBAR-101

DATE:

1/12/2009

REV:

-

DRAWN BY:

COC