

**FEATURES**

- 1/2" bars welded 6" on center.
- Fully welded construction.

**ROOF CURB BURGLAR BAR INSERTS  
FOR YORK UNITS**

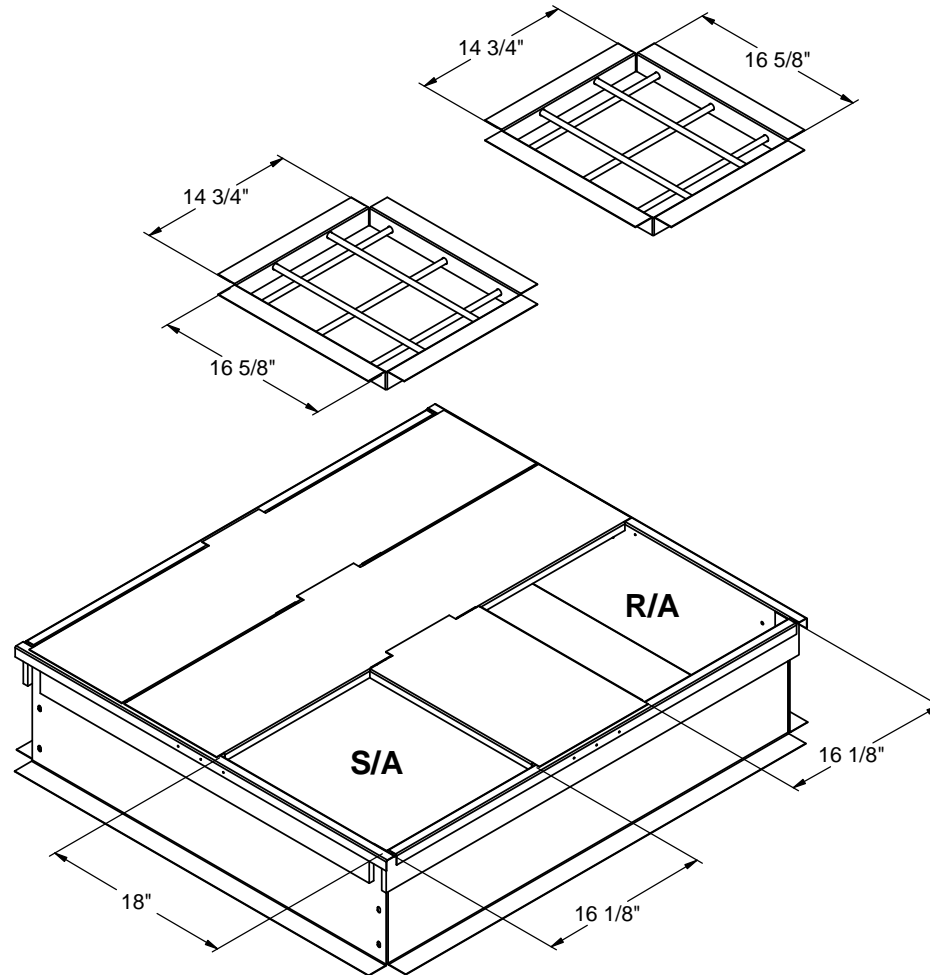
**P\*\*4B ALL MODELS**

ProVent P/N

Wt.

**BBARLXL**

**20 Lbs**



3847 WABASH DRIVE  
MIRA LOMA, CA 91752

PHONE (951) 685-1101  
FAX (619) 872-9799

SUBMITTED TO: \_\_\_\_\_  
 COMPANY: \_\_\_\_\_  
 JOB NAME: \_\_\_\_\_  
 EQUIPMENT: \_\_\_\_\_  
 NOTES: \_\_\_\_\_

FORM NO:

BBARLXL

DATE:  
3/9/2016

REV:  
-

DRAWN BY:  
CNG