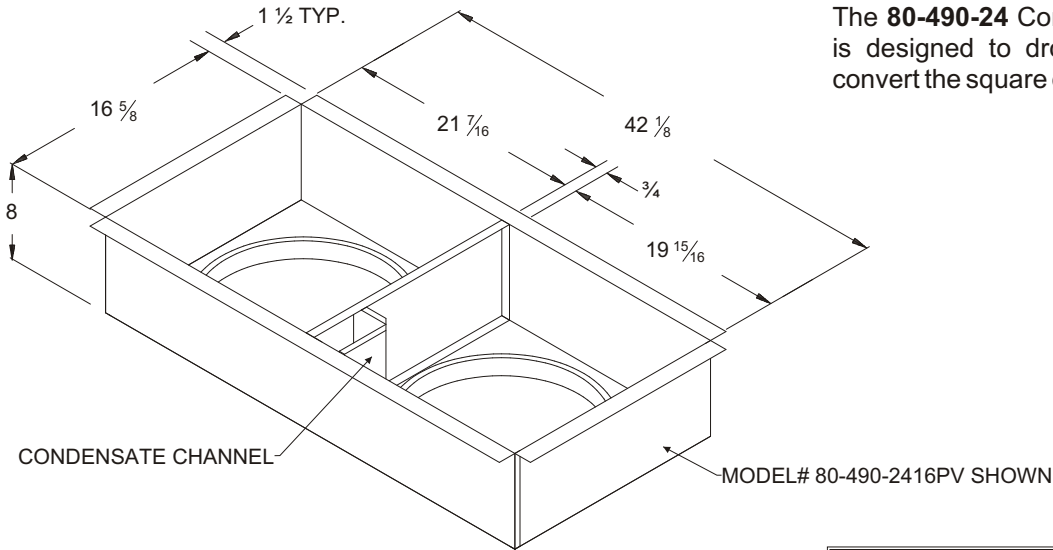




**SPECIFICATION DATA FOR
YORK INTERNATIONAL
DNQ/NX/NY/NZ/NP 024-060 / DNH 030-060 / DNA 036-060
DEQ/EX/EZ/EM 024-060 / DEY 060
BHH/HA 018-060 / BHQ/HX/HZ/HP 024-060 UNITS**

MODEL#: 80-490-24PV
CONCENTRIC CURB ADAPTOR**

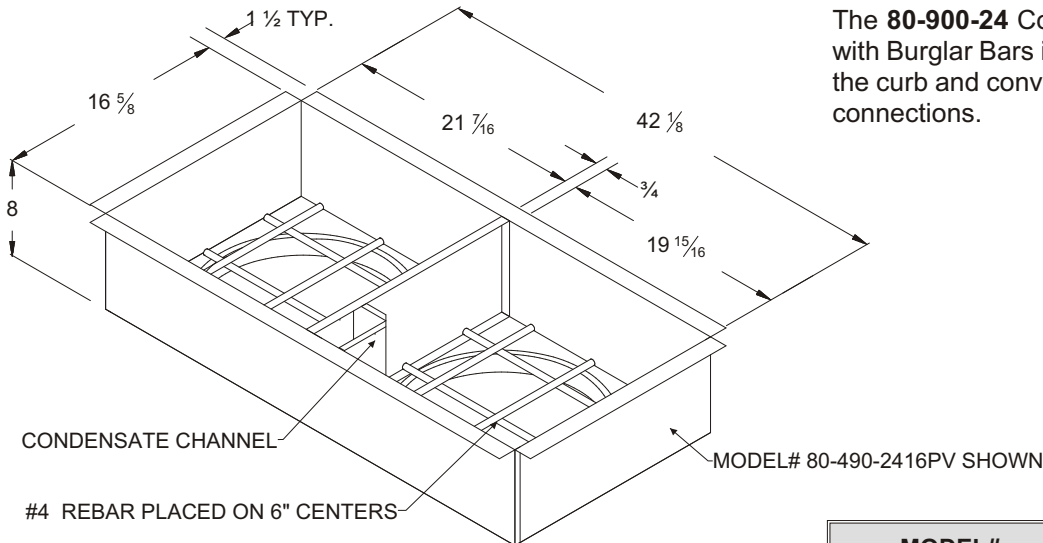
The **80-490-24** Concentric Curb Adaptor is designed to drop into the curb and convert the square duct unit connections.



MODEL#	DUCT SIZE
80-490-2416PV	16" ROUND
80-490-2418PV	18" ROUND

MODEL#: 80-900-24PV
CONCENTRIC CURB ADAPTOR
WITH BURGLAR BARS**

The **80-900-24** Concentric Curb Adaptor with Burglar Bars is designed to drop into the curb and convert the square duct unit connections.



MODEL#	DUCT SIZE
80-900-2416PV	16" ROUND
80-900-2418PV	18" ROUND

FOR LIST PRICES: FORM#

MARCH 3, 2011 FORM# YKACC24P

