

Before Starting Installation

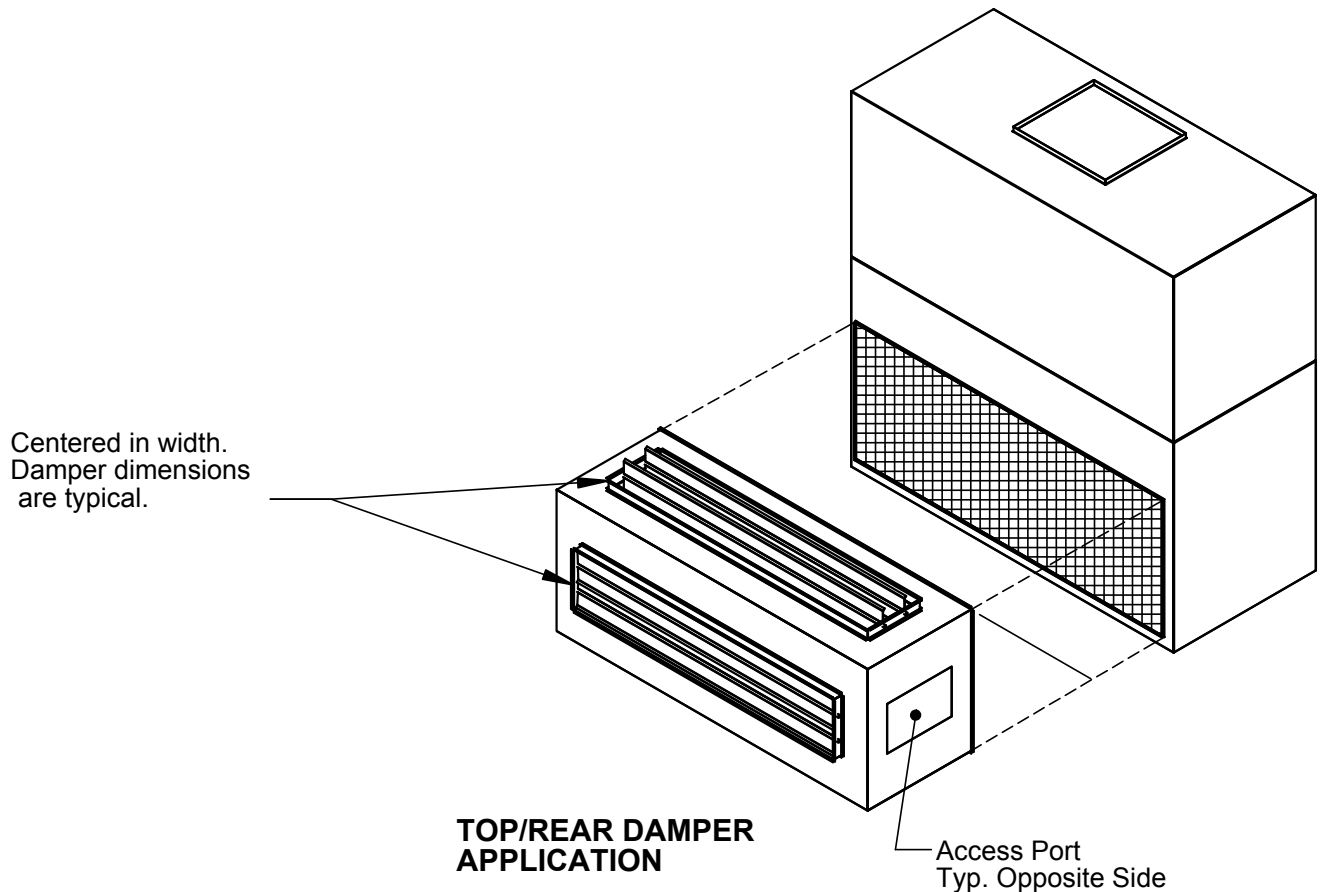
Warning

Shut power to unit prior to any work being done. Personal injury or death could result.

Only qualified HVAC service personnel should install, troubleshoot, repair or service HVAC and related HVAC equipment.

| PARTS INCLUDED | QTY. |
|------------------|-------|
| #12 x 3/4" Screw | 1 Set |

ILL. 1

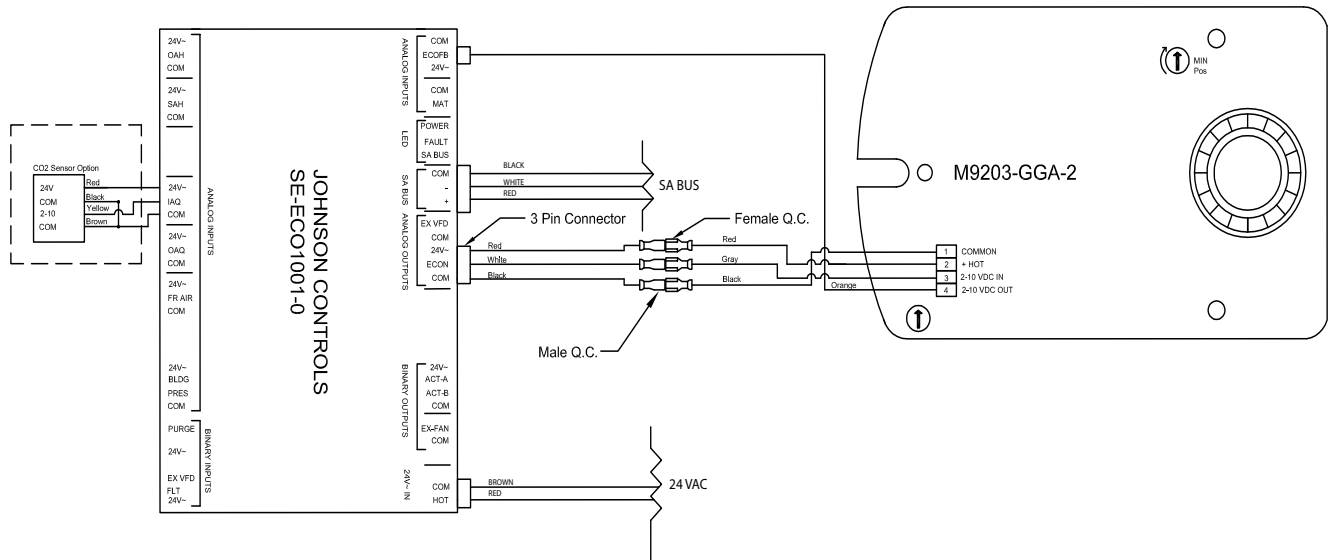


Installation Instructions:

1. Locate harness with the brown wire and red wire (24V). Connect this harness into the "24V-IN" connections on the economizer controller. Locate the harness with the black wire, white wire, and the red wire (SA BUS). Connect this harness to the "SA BUS" connections on the economizer controller. Refer to the unit wiring diagram.
2. Reconnect the power to the unit- follow all safety instructions, rules and codes.

See unit Installation, Operation and Maintenance manual for instructions to verify the unit controller and the economizer controller are communicating properly.

ILL. 2 Control Wiring Diagram



NOTES:

Unit wiring shown is used as reference only. Check unit wiring for actual unit wiring.

Ensure actuator mode setting is set to 2-10VDC. (Whether this is CW or CCW depends on the model, ensure this is opposite to the spring return, may require flipping of the actuator).

TURN ON THE ECONOMIZER OPERATION

Commissioning <enter>
Econ <enter> turn ON

OCCUPIED SETTING CHANGE TO EXTERNAL (UCD OCC TERMINAL) UNLESS SCHEDULE HAS BEEN PROGRAMMED USING COM BOARD ACCESSORY AND LAPTOP.

Details <enter>
Zone <enter>
Indoor <enter>
OccMode <enter>

Change from schedule to external by moving joystick to the right, select external <enter>
Ensure the OCC terminal on the UCB has a 24VAC signal present.

SET MINIMUM POSITION

Details <enter>
Control <enter>
Econ <enter>
Setup <enter>
Econ-En <enter>

Ensure setting is YES (change to YES if currently set to NO <enter>)
Cancel out
Scroll Down to Econ-MinPos <enter>
Set to desired opening % <enter>

Escape back to Main Menu (Allow up to five (5) minutes for changes to take effect).