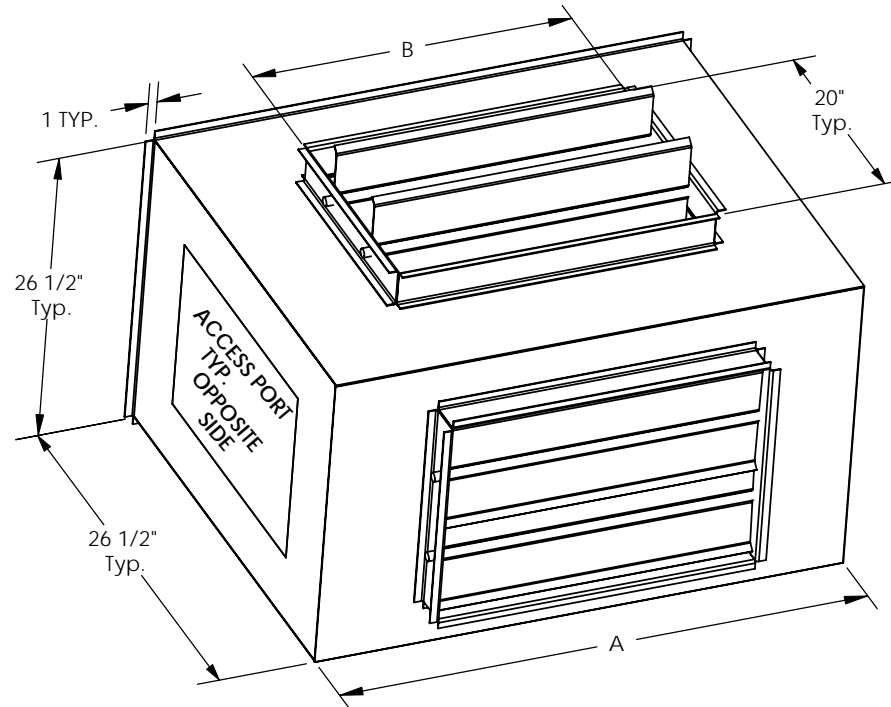


MIXING BOX FOR UPFLOW YORK FURNACES

FEATURES:

- Factory assembled.
- Galvanized steel construction.
- Fully insulated.
- Low leak dampers.
- Optional modulating controls with selectable dry bulb or enthalpy are available.
- Direct coupled damper movement.

UNIT SIZE	PART NUMBER	CONTROL TYPE	A	B	EST. WT
Y8S, P*8A* 040-080 UH11 Y9S, P19A* 040UP11	MB-UPA-AC	ACTUATOR ONLY	13 1/4"	10"	37 LBS.
	MB-UPA-DB	MODULATING CONTROLS WITH SELECTABLE DRY BULB			
	MB-UPA-EN	MODULATING CONTROLS WITH ENTHALPY			
*Y8S, P*8B* 080-100UH11 8C 050-075*MUB12 P6UHB** 040-060* *Y9S, P*9B* 060-080UP11	MB-UPB-AC	ACTUATOR ONLY	16 1/4"	12"	42 LBS.
	MB-UPB-DB	MODULATING CONTROLS WITH SELECTABLE DRY BULB			
	MB-UPB-EN	MODULATING CONTROLS WITH ENTHALPY			
8C 075-100*MUC12 Y8S 080-115C*UH11 Y9S 080-100CUP11 P*9C* 080-100UP11 PS8C* 080-115UH11 P18C* 080-120UH11 P6UHC* 080*	MB-UPC-AC	ACTUATOR ONLY	19 3/4"	16"	50 LBS.
	MB-UPC-DB	MODULATING CONTROLS WITH SELECTABLE DRY BULB			
	MB-UPC-EN	MODULATING CONTROLS WITH ENTHALPY			
*8C 100-125*MUD11 Y8S 130D*UH11 Y9S 120-135D*UP11 P*9D* 120UP11 PS8D* 130UH11 P6UHD* 100-120*	MB-UPD-AC	ACTUATOR ONLY	22"	16"	57 LBS.
	MB-UPD-DB	MODULATING CONTROLS WITH SELECTABLE DRY BULB			
	MB-UPD-EN	MODULATING CONTROLS WITH ENTHALPY			
Y8S 160E UH21	MB-UPE-AC	ACTUATOR ONLY	30"	26"	67 LBS.
	MB-UPE-DB	MODULATING CONTROLS WITH SELECTABLE DRY BULB			
	MB-UPE-EN	MODULATING CONTROLS WITH ENTHALPY			



1392 EAST PALOMAR STREET
SUITE 403-234
CHULA VISTA, CA 91913
PHONE (619) 498-9246
FAX (619) 872-9799

SUBMITTED TO: _____
COMPANY: _____
JOB NAME: _____
EQUIPMENT: _____
NOTES: _____

FORM NO:
MB-UP-101

DATE:
5/5/2009

PART NUMBER:
MB-UP* SERIES

REV:
2

DRAWN BY:
MER