

**FEATURES**

- Prepaint hood and panels matching factory specifications and color.
- Designed for unit mounted down discharge and duct mounted horizontal discharge.
- Includes screen assembly.
- Insulated panel.

**0-25% OUTSIDE AIR PACKAGE FOR YORK UNITS**

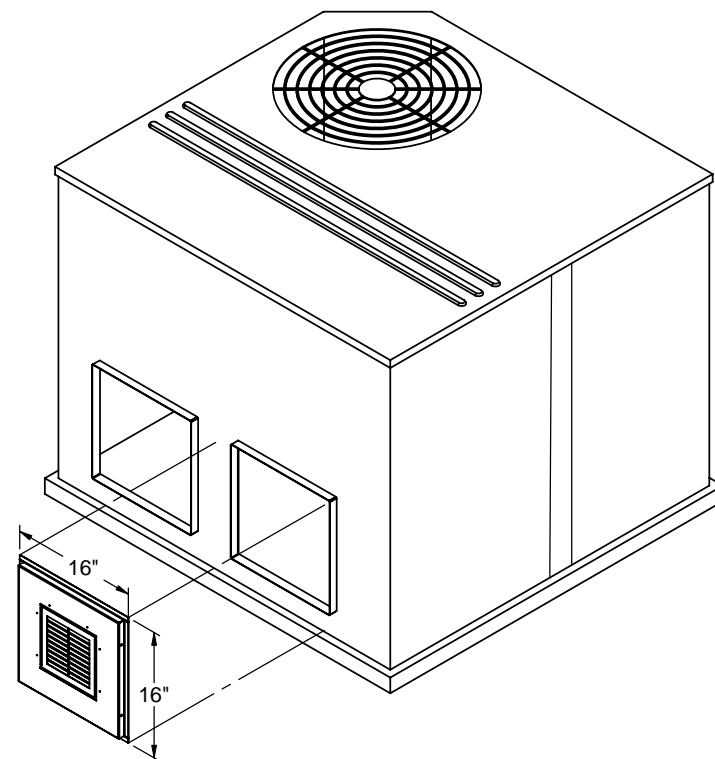
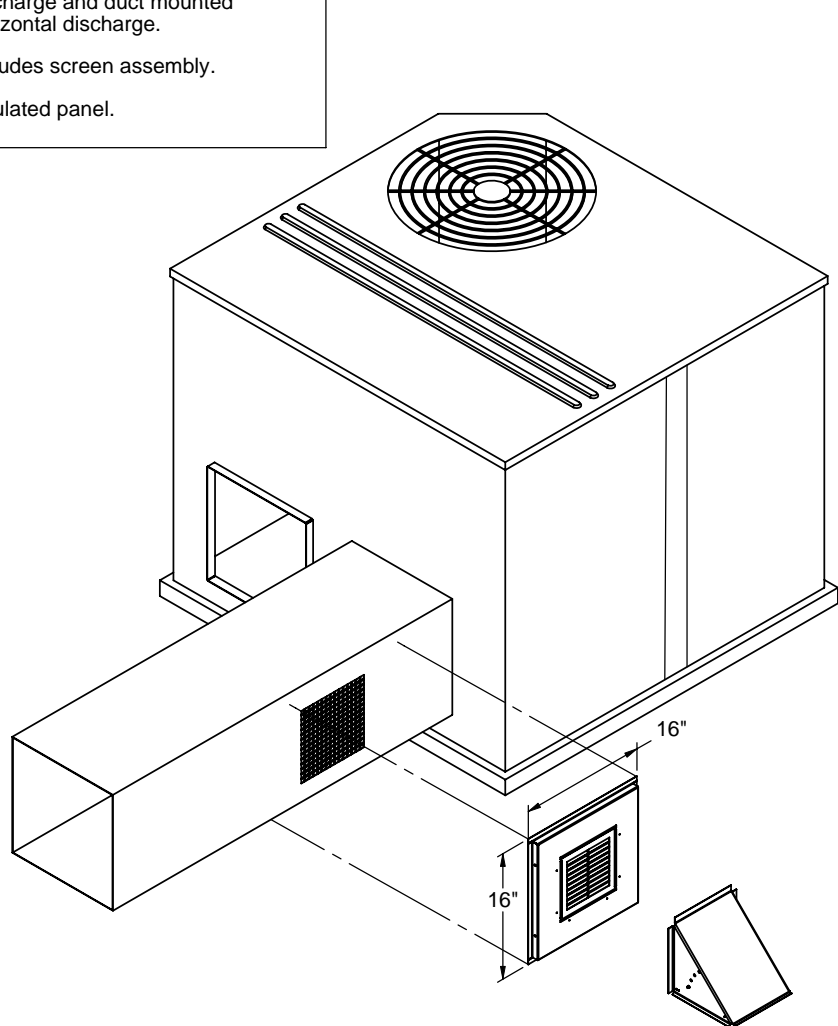
**DEB/DNZ/DEZ/DNP/DEM/BHH/BHA/BHZ/BHP 018-060:  
DEX/DNH/DEH/DNA/DNY/DNX/BHX 024-060: DEY 060**

ProVent P/N

WEIGHT

OAAFF1860F25

5 Lbs.



1392 EAST PALOMAR STREET  
SUITE 403-234  
CHULA VISTA, CA 91913

PHONE (619) 498-9246  
FAX (619) 872-9799

SUBMITTED TO: \_\_\_\_\_

COMPANY: \_\_\_\_\_

JOB NAME: \_\_\_\_\_

EQUIPMENT: \_\_\_\_\_

NOTES: \_\_\_\_\_

FORM NO:

OA-101

DATE:  
09/07/08

REV:  
-

DRAWN BY:  
PWM