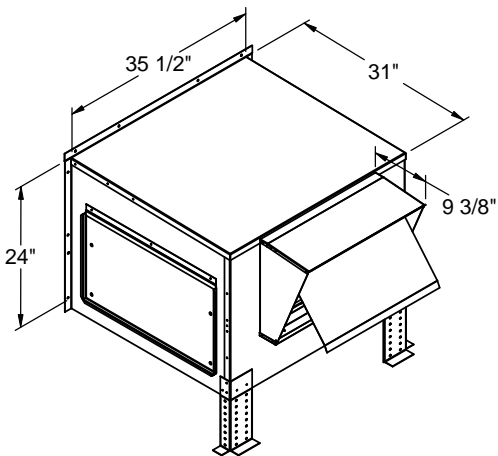
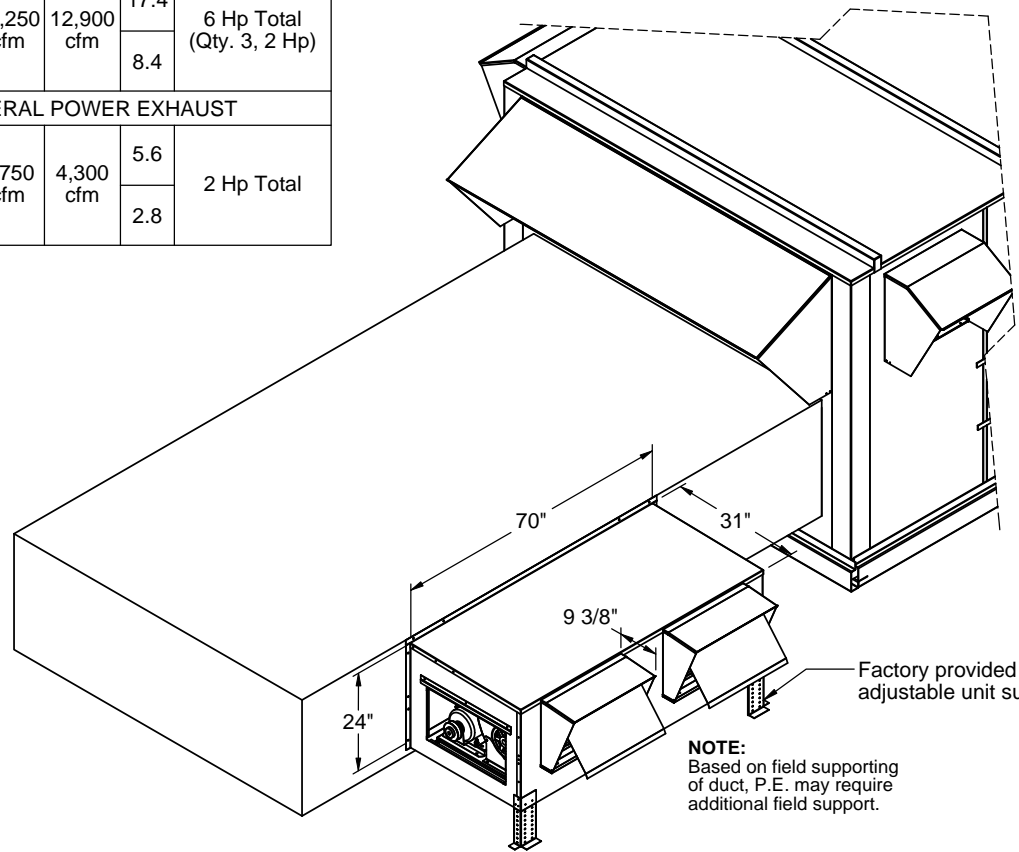



FEATURES	HORIZONTAL DISCHARGE CENTRIFUGAL POWER EXHAUST FOR YORK MILLENNIUM UNITS						ProVent P/N		Wt.		
							CONSTANT VOLUME 2 STAGE	MODULATING			
	<ul style="list-style-type: none"> Constant volume factory set for 2 stage. "HO" options includes an additional single blower module. Modulating option includes fully programmable (factory set) variable frequency drive controlled by a differential pressure transducer designed to continuously monitor space pressure. Access door for motor, blower, and blower drives. Adjustable motor sheave. Motor with automatic internal thermal protection. 	Y22, 23, 24; Y32, 33, 34; Z22, 23, 24; Z32, 33, 34; Z52, 53, 54						PEHCMIL323425C 208/230V 3Ph		PEHCMIL323425M 208/230V 3Ph	305 Lbs. 420 Lbs. (For high output)
VOLTAGE		ProVent P/N	External Static (in. W.G)				FLA	Hp	PEHCMIL323425CHO 208/230V 3Ph High Output	PEHCMIL323425MHO 208/230V 3Ph High Output	
			0.1	0.25	0.375	0.5			PEHCMIL323446C 460V 3Ph	PEHCMIL323446M 460V 3Ph	
230V/3Ph		PEHCMIL323425C PEHCMIL323425M	10,400 cfm	10,000 cfm	9,500 cfm	8,600 cfm	11.2	4 Hp Total (Qty. 2, 2 Hp)	PEHCMIL323446CHO 460V 3Ph High Output	PEHCMIL323446MHO 460V 3Ph High Output	
460V/3Ph		PEHCMIL323446C PEHCMIL323446M					5.6				
HIGH OUTPUT											
230V/3Ph		PEHCMIL323425CHO PEHCMIL323425MHO	15,600 cfm	15,000 cfm	14,250 cfm	12,900 cfm	17.4	6 Hp Total (Qty. 3, 2 Hp)			
460V/3Ph		PEHCMIL323446CHO PEHCMIL323446MHO					8.4				
SINGLE MODULE/ SINGLE BLOWER GENERAL POWER EXHAUST											
PLEASE NOTE:		230V/3Ph	PEHCGEN25C PEHCGEN25M	5,200 cfm	5,000 cfm	4,750 cfm	4,300 cfm	5.6	2 Hp Total		
1. Return air duct, dampers, return air grills are specific for each unit. 2. For proper electrical wire sizing, Provent power exhaust full load amps need to be added to equation.	460V/3Ph	PEHCGEN46C PEHCGEN46M					2.8				



SINGLE MODULE FOR HIGH OUTPUT OPTION



NOTE:
Based on field supporting of duct, P.E. may require additional field support.

	1392 EAST PALOMAR STREET SUITE 403-234 CHULA VISTA, CA 91913	SUBMITTED TO: _____ COMPANY: _____ JOB NAME: _____ EQUIPMENT: _____ NOTES: _____	FORM NO: PE-07	PART NUMBER: PEHCMIL3234 SERIES
	PHONE (619) 498-9246 FAX (619) 872-9799	DATE: 6/30/2015	REV: 4	DRAWN BY: SAM