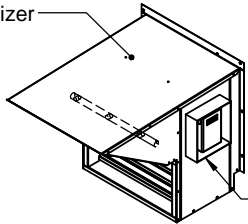


FEATURES	HORIZONTAL DISCHARGE AXIAL POWER EXHAUST ECONOMIZER FOR YORK UNITS								ProVent P/N	
	DEQ/DNZ/DEZ/DNQ/DEM/DEX/DNH/DEH/DNA/DNY/DNX BHQ/BHH/BHA/BHZ/BHP/BHX 024-060: DEY 060								CONSTANT VOLUME	MODULATING
<ul style="list-style-type: none"> Includes fully modulating economizer. (See Form ECO-214 for Economizer Specs). CO2 controller standard on economizer. Space or duct mounted CO2 sensor provided as option: <ul style="list-style-type: none"> CO2WM - Wall Mount With LED CO2DM - Duct Mount LEED economizer option. Direct drive axial fan. Modulating option includes fully programmable (factory set) variable frequency drive controlled by a differential pressure transducer designed to continuously monitor space pressure. 	VOLTAGE	External Static (in. W.G.)					FLA	Wt	PEHAAFF1860DB06C	PEHAAFF1860DB06M
		0.1	0.2	0.3	0.4	0.5			208/230V 1Ph Selectable Dry Bulb	208/230V 1Ph Selectable Dry Bulb
	230V/1Ph						1.44	76 Lbs. (Includes Economizer)	PEHAAFF1860EN06C	PEHAAFF1860EN06M
	230V/3Ph	1,500	1,375	1,250	1,150	900	0.83		PEHAAFF1860DB25C	PEHAAFF1860DB25M
460V/3Ph						0.80	PEHAAFF1860EN25C		PEHAAFF1860EN25M	
								PEHAAFF1860DB46C	PEHAAFF1860DB46M	
								PEHAAFF1860EN46C	PEHAAFF1860EN46M	
<p>PLEASE NOTE:</p> <ol style="list-style-type: none"> Return air duct, dampers, return air grills are specific for each unit. For proper electrical wire sizing, Provent power exhaust full load amps need to be added to equation. 										
<p>Note: For factory installed LEED economizer / power exhaust option, part number, FLOWECAFF1860, must be added.</p>										

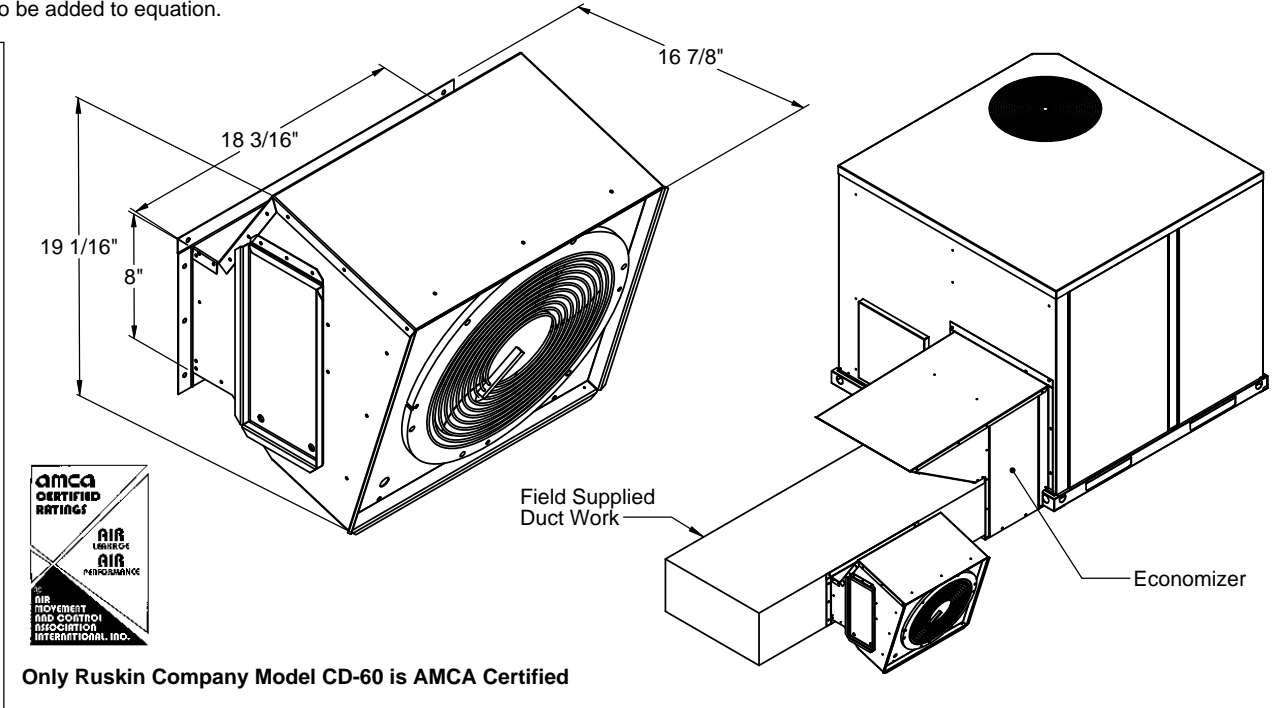
LEED ECONOMIZER / POWER EXHAUST OPTION


- ProVent P/N: FLOWECAFF1860
- Outside air measurement for dilution utilizing thermal dispersion technology and ASHRAE 62.1 compliant. Provides LEED credit by supplying feedback on ventilation system performance ensuring that the ventilation system maintains design requirements.
- Factory installed onto economizer/power exhaust standard.
- Provides analog outputs for BMS, visual or audible alert, and generates an alarm when conditions vary by 10% or more of set point.



Economizer

Thermal Dispersion Airflow Measurement System



	3847 WABASH DRIVE MIRA LOMA, CA 91752	SUBMITTED TO: _____ COMPANY: _____ JOB NAME: _____ EQUIPMENT: _____ NOTES: _____	FORM NO: PE-11	PART NUMBER: PEHAAFF1860 SERIES
	PHONE (951) 685-1101 FAX (619) 872-9799		DATE: 7/22/2014	REV: 5