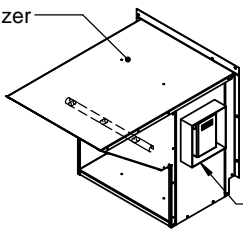


| FEATURES | HORIZONTAL DISCHARGE AXIAL POWER EXHAUST ECONOMIZER FOR YORK UNITS | | | | | | | | ProVent P/N | |
|--|--|---------|---------------------------|-------|-------|------|----------------------------------|--|----------------------------------|----------------------------------|
| | P**4A, P**4B 024-060 | | | | | | | | CONSTANT VOLUME | MODULATING |
| | <ul style="list-style-type: none"> Includes fully modulating economizer. (See Form ECO-503 for Economizer Specs). CO2 controller standard on economizer. Space or duct mounted CO2 sensor provided as option: <ul style="list-style-type: none"> CO2WM - Wall Mount With LED CO2DM - Duct Mount LEED economizer option. Direct drive axial fan. Modulating option includes fully programmable (factory set) variable frequency drive controlled by a differential pressure transducer designed to continuously monitor space pressure. | VOLTAGE | External Static (in. W.G) | | | | | FLA | Wt | PEHALXDB06C |
| 0.1 | | | 0.2 | 0.3 | 0.4 | 0.5 | 208/230V 1Ph Selectable Dry Bulb | | | 208/230V 1Ph Selectable Dry Bulb |
| 230V/1Ph | | 1,500 | 1,375 | 1,250 | 1,150 | 900 | 1.44 | 86 Lbs. (Includes Economizer) | PEHALXEN06C | PEHALXEN06M |
| 230V/3Ph | | | | | | | 208/230V 3Ph Selectable Dry Bulb | | 208/230V 3Ph Selectable Dry Bulb | |
| 460V/3Ph | 0.83 | | | | | | PEHALXEN25C | | PEHALXEN25M | |
| | | | | | | 0.80 | | PEHALXDB46C | PEHALXDB46M | |
| | | | | | | | | 460V 3Ph Selectable Dry Bulb | 460V 3Ph Selectable Dry Bulb | |
| | | | | | | | | PEHALXEN46C | PEHALXEN46M | |
| | | | | | | | | 460V 3Ph Enthalpy | 460V 3Ph Enthalpy | |
| PLEASE NOTE: | | | | | | | | Note: For factory installed LEED economizer / power exhaust option, part number, FLOWECLX, must be added. | | |
| 1. Return air duct, dampers, return air grills are specific for each unit. 2. For proper electrical wire sizing, Provent power exhaust full load amps need to be added to equation. | | | | | | | | | | |

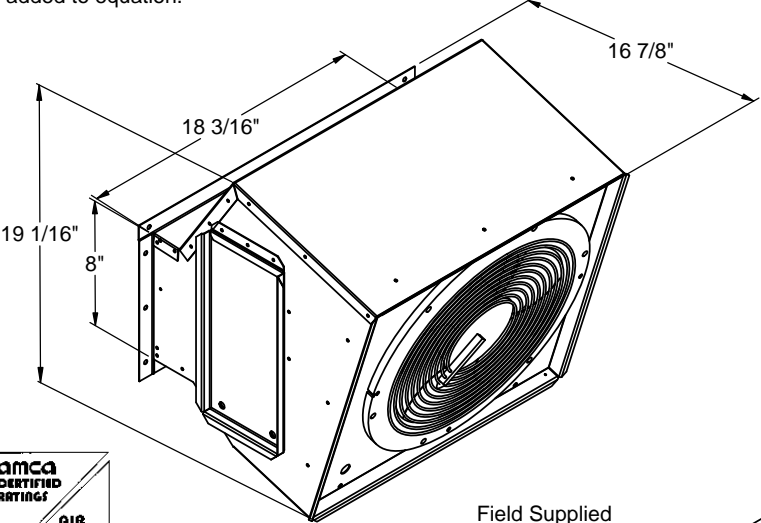
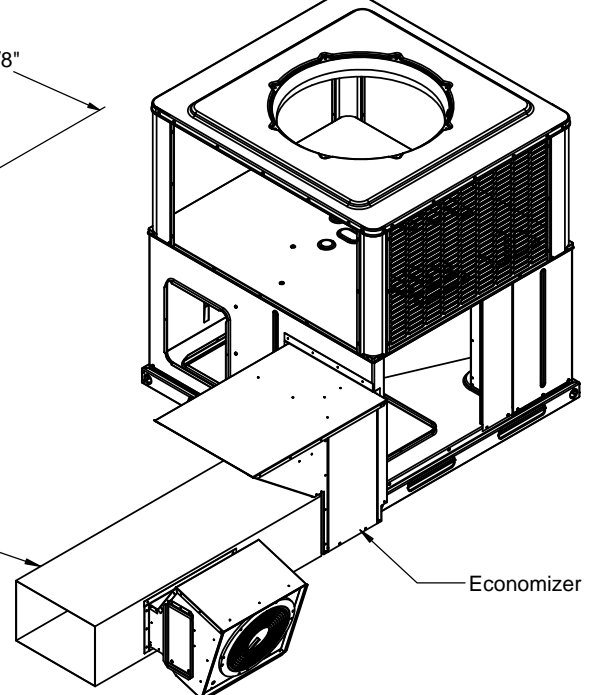
LEED ECONOMIZER / POWER EXHAUST OPTION

- ProVent P/N: FLOWECLX
- Outside air measurement for dilution utilizing thermal dispersion technology and ASHRAE 62.1 compliant. Provides LEED credit by supplying feedback on ventilation system performance ensuring that the ventilation system maintains design requirements.
- Factory installed onto economizer/power exhaust standard.
- Provides analog outputs for BMS, visual or audible alert, and generates an alarm when conditions vary by 10% or more of set point.




Economizer

Thermal Dispersion Airflow Measurement System


Field Supplied Duct Work

Economizer



AMCA CERTIFIED RATING
AIR LEAKAGE
AIR PERFORMANCE
AIR MOVEMENT AND CONTROL ASSOCIATION INTERNATIONAL, INC.

Only Ruskin Company Model CD-60 is AMCA Certified

| | | | | | |
|--|--|--|---|--|-------------------------|
|  | 3847 WABASH DRIVE MIRA LOMA, CA 91752 PHONE (951) 685-1101 FAX (619) 872-9799 | SUBMITTED TO: _____ COMPANY: _____ JOB NAME: _____ EQUIPMENT: _____ NOTES: _____ | FORM NO: PE-40 DATE: 9/29/2015 | PART NUMBER: PEHALX SERIES REV: - | DRAWN BY: CNG |
|--|--|--|---|--|-------------------------|