

FEATURES

- Includes fully modulating economizer. (See Form ECO-90 for Economizer Specs).
- CO2 controller standard on economizer. Space or duct mounted CO2 sensor provided as option:
 - CO2WM - Wall Mount With LED
 - CO2DM - Duct Mount
- Access for motor, blower, and blower drives.
- Adjustable motor sheave.
- Motor with automatic internal thermal protection.
- Modulating option includes fully programmable (factory set) variable frequency drive controlled by a differential pressure transducer designed to continuously monitor space pressure.

**DOWN DISCHARGE CENTRIFUGAL
POWER EXHAUST ECONOMIZER FOR YORK
PRESTIGE UNITS**

ZX 08-14; ZY 07-12

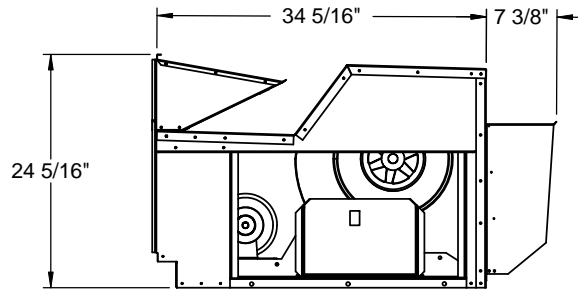
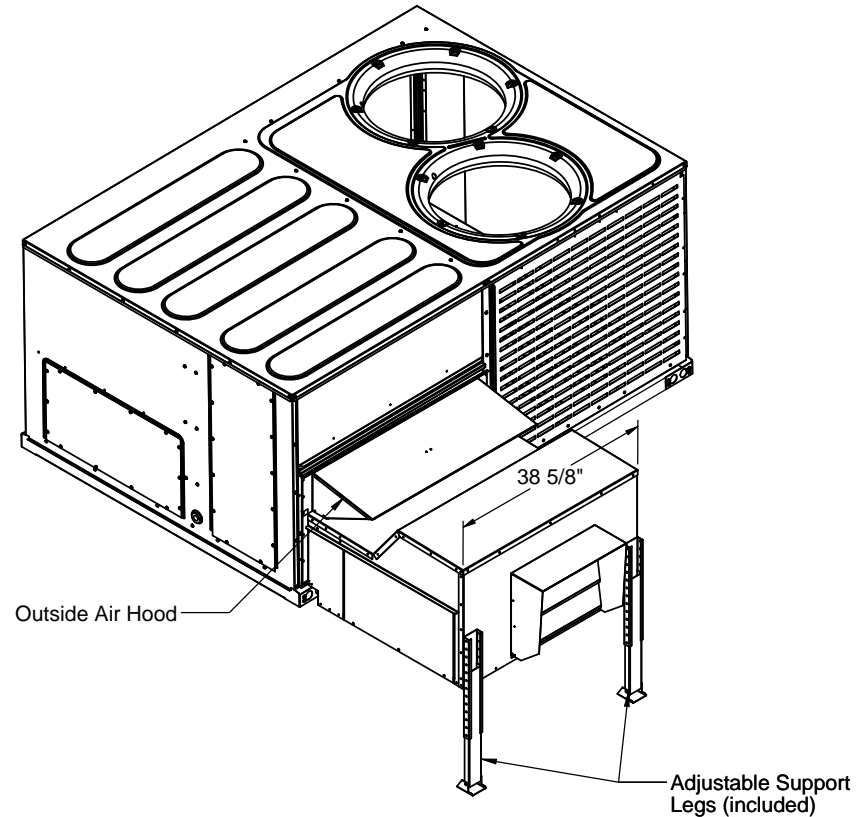
VOLTAGE	External Static (in. W.G)				FLA	Hp	Est. Wt
	0.1	0.2	0.3	0.4			
230V/3Ph	4,750 cfm	4,600 cfm	4,500 cfm	4,400 cfm	3.2	1	248 Lbs. (Includes Economizer)
460V/3Ph					1.6		

ProVent P/N

CONSTANT VOLUME	MODULATING
PEDCPRLDB25C 208/230V 3Ph Selectable Dry Bulb	PEDCPRLDB25M 208/230V 3Ph Selectable Dry Bulb
PEDCPRLEN25C 208/230V 3Ph Enthalpy	PEDCPRLEN25M 208/230V 3Ph Enthalpy
PEDCPRLDB46C 460V 3Ph Selectable Dry Bulb	PEDCPRLDB46M 460V 3Ph Selectable Dry Bulb
PEDCPRLEN46C 460V 3Ph Enthalpy	PEDCPRLEN46M 460V 3Ph Enthalpy

PLEASE NOTE:

1. Return air duct, dampers, return air grills are specific for each unit.
2. For proper electrical wire sizing, Provent power exhaust full load amps need to be added to equation.



Only Ruskin Company Model CD-60 is AMCA Certified



3847 WABASH DR.
MIRA LOMA, CA 91725

PHONE (951) 685-1101
FAX (619) 872-9799

SUBMITTED TO: _____
 COMPANY: _____
 JOB NAME: _____
 EQUIPMENT: _____
 NOTES: _____

FORM NO:
PE-55

DATE:
9/5/2014

PART NUMBER:
PEDCPRL SERIES

REV:
-

DRAWN BY:
CNG