

FEATURES

- Includes fully modulating economizer. (See Form ECO-200 for Economizer Specs).
- CO2 controller standard on economizer. Space or duct mounted CO2 sensor provided as option:
 - CO2WM - Wall Mount With LED
 - CO2DM - Duct Mount
- LEED economizer option.
- Access for motor, blower, and blower drives.
- Adjustable motor sheave.
- Motor with automatic internal thermal protection.
- Modulating option includes fully programmable (factory set) variable frequency drive controlled by a differential pressure transducer designed to continuously monitor space pressure.

HORIZONTAL DISCHARGE CENTRIFUGAL POWER EXHAUST ECONOMIZER FOR SSE YORK UNITS

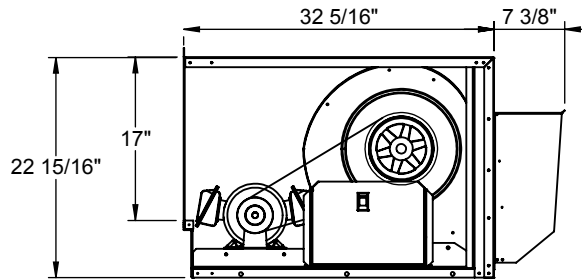
**ZF/ZH/ZR 078, 090;
DH 078-102; DF/DM 090, 102; BP 090**

VOLTAGE	External Static (in. W.G)				FLA	Hp	Wt
	0.1	0.2	0.3	0.4			
230V/3Ph					3.2	1	228 Lbs. (Includes Economizer)
460V/3Ph	2,640 cfm	2,472 cfm	2,344 cfm	2,148 cfm	1.6		

PLEASE NOTE:

1. Return air duct, dampers, return air grills are specific for each unit.
2. For proper electrical wire sizing, Provent power exhaust full load amps need to be added to equation.

Mounting Section Included With Power Exhaust



NOTE:
If drive components are required on other side (RT) please specify when ordering.

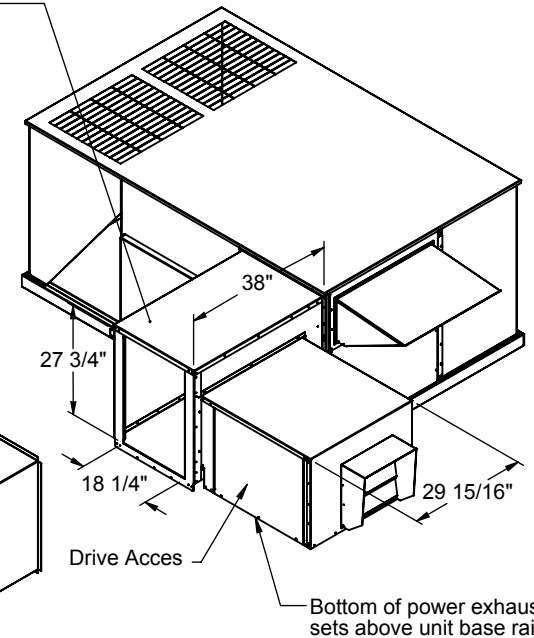


Only Ruskin Company Model CD-60 is AMCA Certified

For units with SSE controller

ProVent P/N	
CONSTANT VOLUME	MODULATING
PEHCPRDSCDB25CS 208/230V 3Ph Selectable Dry Bulb	PEHCPRDSCDB25MS 208/230V 3Ph Selectable Dry Bulb
PEHCPRDSCEN25CS 208/230V 3Ph Enthalpy	PEHCPRDSCEN25MS 208/230V 3Ph Enthalpy
PEHCPRDSCDB46CS 460V 3Ph Selectable Dry Bulb	PEHCPRDSCDB46MS 460V 3Ph Selectable Dry Bulb
PEHCPRDSCEN46CS 460V 3Ph Enthalpy	PEHCPRDSCEN46MS 460V 3Ph Enthalpy

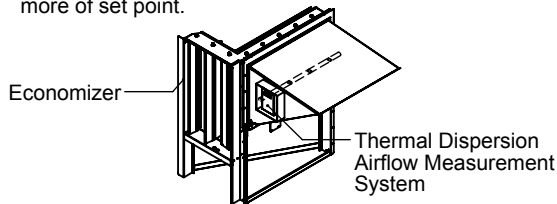
Note: For factory installed LEED economizer / power exhaust option, part number, FLOWECPRD3715, must be added.



NOTE:
Based on field supporting of duct, P.E. may require additional field support.

LEED ECONOMIZER / POWER EXHAUST OPTION

- ProVent P/N: FLOWECPRD3715
- Outside air measurement for dilution utilizing thermal dispersion technology and ASHRAE 62.1 compliant. Provides LEED credit by supplying feedback on ventilation system performance ensuring that the ventilation system maintains design requirements.
- Factory installed onto economizer/power exhaust standard.
- Provides analog outputs for BMS, visual or audible alert, and generates an alarm when conditions vary by 10% or more of set point.



Economizer

Thermal Dispersion Airflow Measurement System



3847 WABASH DR.
MIRA LOMA, CA 91725

PHONE (951) 685-1101
FAX (619) 872-9799

SUBMITTED TO: _____
COMPANY: _____
JOB NAME: _____
EQUIPMENT: _____
NOTES: _____

FORM NO:
PE-91

DATE:
9/14/2016

PART NUMBER:
PEHCPRDSCS SERIES

REV:
2

DRAWN BY:
ALL