

FEATURES:

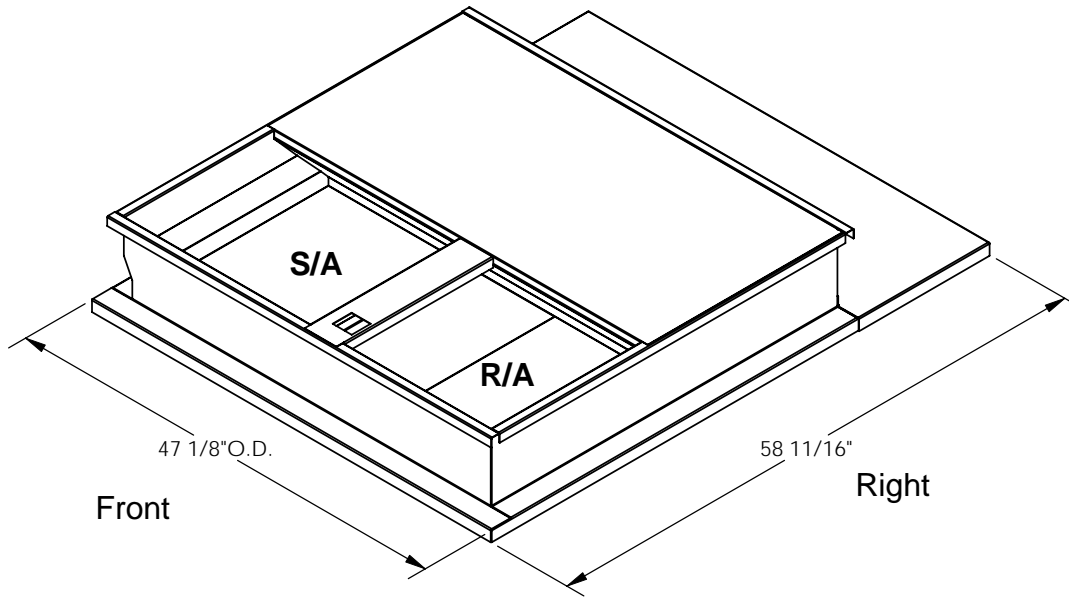
- Gasketing package provided.
- Insulation: 1"-1.5 lb. Density.
- Estimated Weight: 83 Lbs.
- All Galvanized Welded Construction.

CURB ADAPTER

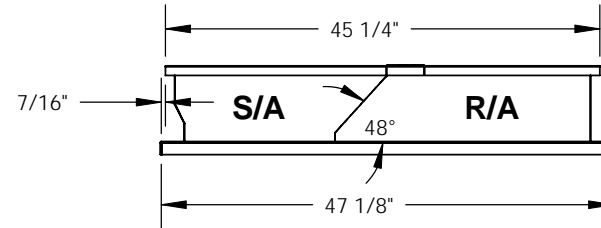
EXISTING CARRIER:
48NHT,NVT,036-042; 48N 048-060; 48SB 036120,042120, 048080

EXISTING BRYANT:
584B, 587A, 554A, 654A, 048-060; 580A, 584A 036100-060

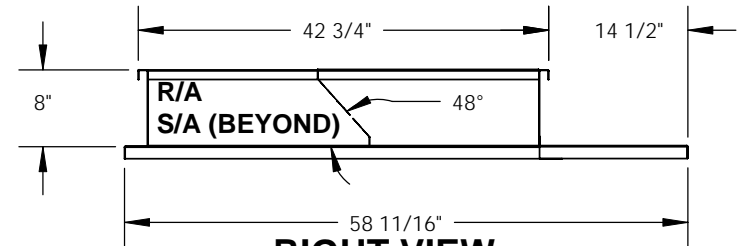
FOR YORK UNITS:
DEB/BHH/BHA 018-060: DNZ/DEZ/DNP/DEM/BHZ/BHP 024-060: DEX 024-048:
DNH/DEH 030-060: DNA 036-060: DNY/BHX 024, 036, 048, 060: DNX 024, 036, 048: DEY 060



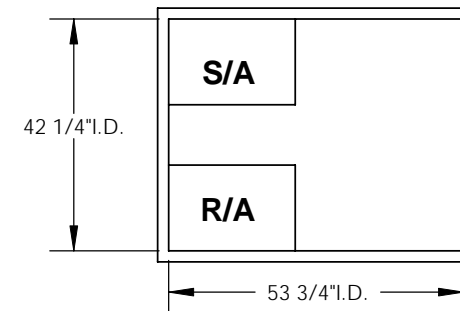
ISOMETRIC VIEW



FRONT VIEW



RIGHT VIEW



EXISTING CURB



1392 EAST PALOMAR STREET
SUITE 403-234
CHULA VISTA, CA 91913

PHONE (619) 498-9246
FAX (619) 872-9799

SUBMITTED TO: _____
COMPANY: _____
JOB NAME: _____
EQUIPMENT: _____
NOTES: _____

FORM NO: _____
DATE: 7/30/2009

PART NUMBER: CA-AFF1860-CAR10
REV: 1
DRAWN BY: FMM