

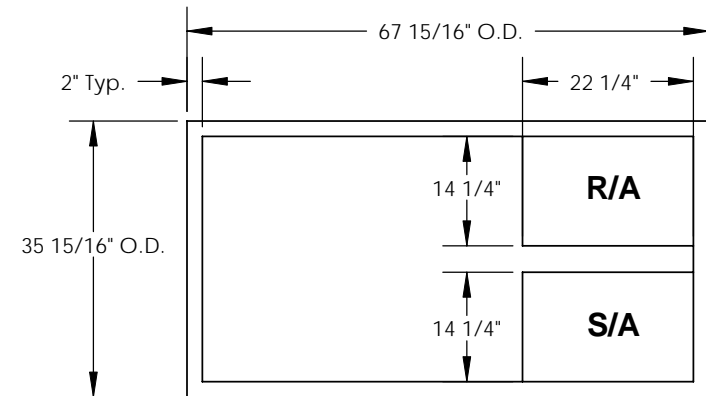
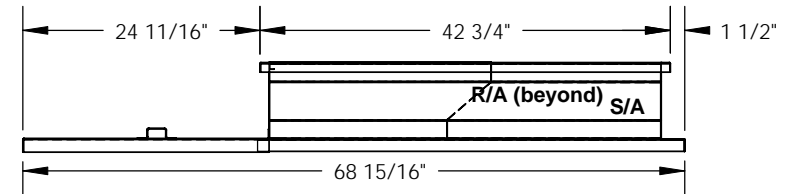
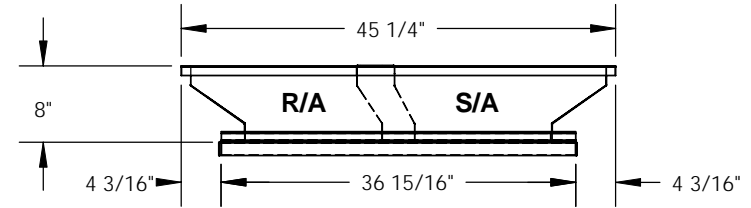
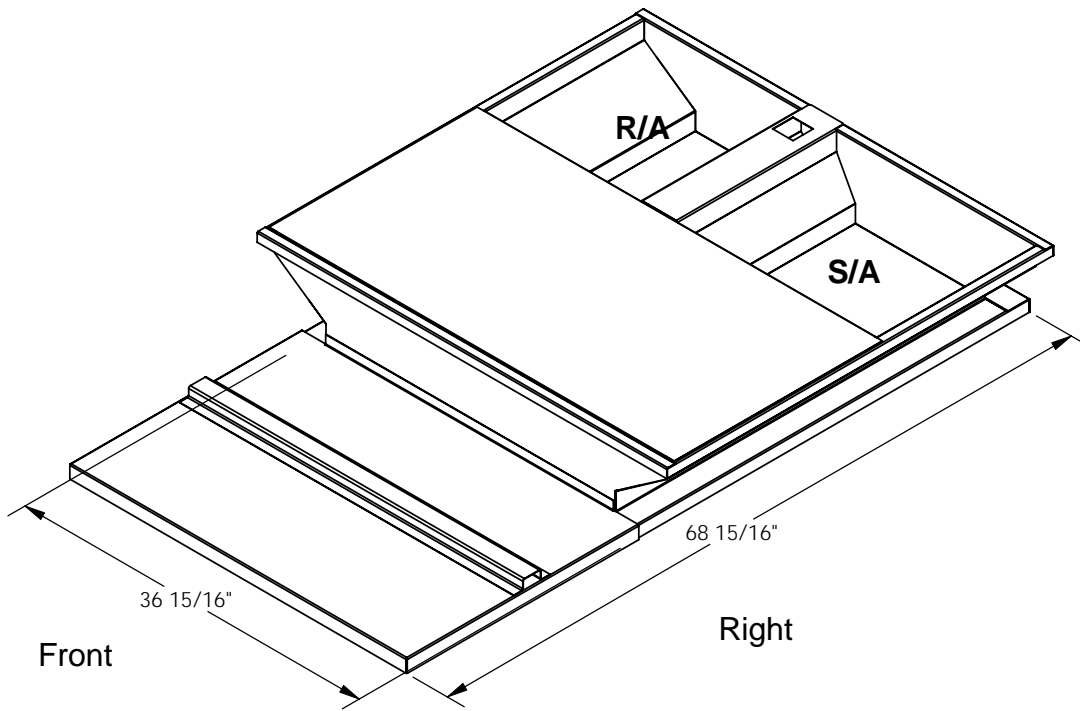
FEATURES:

- Gasketing package provided.
- Insulation: 1"-1.5 lb. Density.
- Estimated Weight: 88 Lbs.
- All Galvanized Welded Construction.

CURB ADAPTER

EXISTING TANE:
BYC060F, SFDA B50, SFDB B50

FOR YORK UNITS:
DEB/DNZ/DEZ/DNP/DEM/BHH/BHA/BHZ/BHP 018-060:
DEX/DNH/DEH/DNA/DNY/DNX/BHX 024-060: DEY 060



1392 EAST PALOMAR STREET
SUITE 403-234
CHULA VISTA, CA 91913
PHONE (619) 498-9246
FAX (619) 872-9799

SUBMITTED TO: _____
COMPANY: _____
JOB NAME: _____
EQUIPMENT: _____
NOTES: _____

FORM NO: _____
DATE: 4/21/2010

PART NUMBER:
CA-AFF1860-TRN09
REV: -
DRAWN BY:
ALL