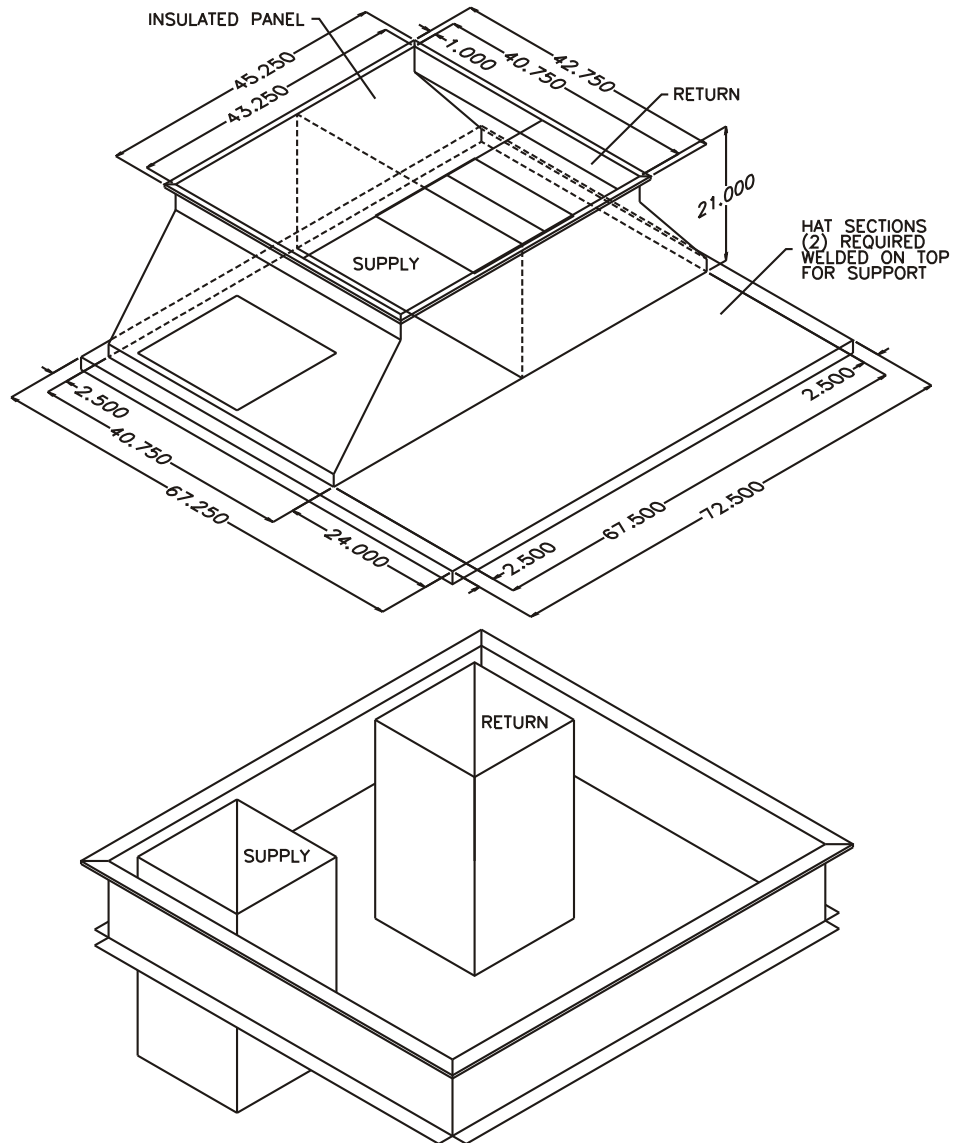




CURB ADAPTOR FOR YORK INTERNATIONAL
OLD UNIT: SA D60
NEW UNIT: D*NA/NH/NP 018-060
D*EB/EH/EM/NZ 018-060 / B*HA/HH/HP/HZ 018-060

Notes:

1. Fully welded G90 galvanized construction.
2. Fully insulated.
3. Gaskets shipped with adaptor.
4. Separate supply and return ducts only.
(No concentrics - Consult factory.)
5. Adaptor matches existing duct.
6. Existing curb O.D. Is 1 inch less than bottom skirt of adapter.



RRS ADAPTOR MODEL	DUCT TYPE	EXISTING CURB DIMENSIONS	HEIGHT
80-290-2403PV	NON-CONCENTRIC	67.25 x 72.50	21"

FOR LIST PRICES: FORM#

JUNE 3, 2011 FORM# 290-2403P

