

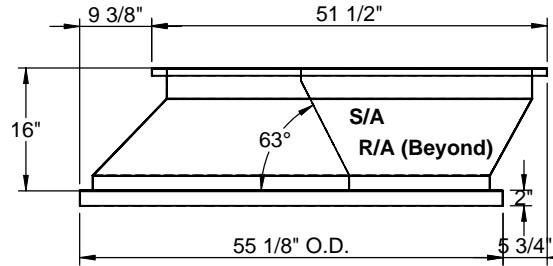
**FEATURES:**

- Gasketing package provided.
- Insulation: 1"-1.5 lb. Density.
- Estimated Weight: 215 Lbs.
- All Galvanized Welded Construction.

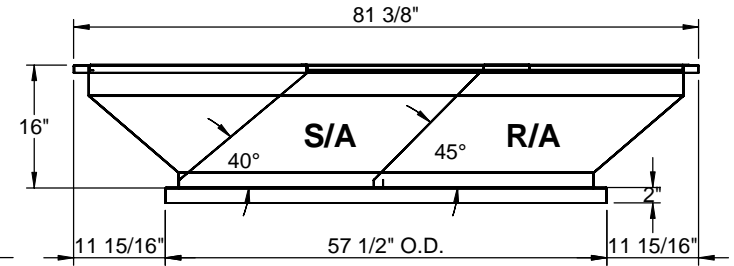
**CURB ADAPTER**

EXISTING RHEEM:  
RRGE/G URGE/G 07E48, 07N48, 11E48, 12E48, 13E48, 15N48, 09E60, 10E60, 10N60, 11E60, 12E60, RSNY 048, 060, CURB-RXRA-CB23

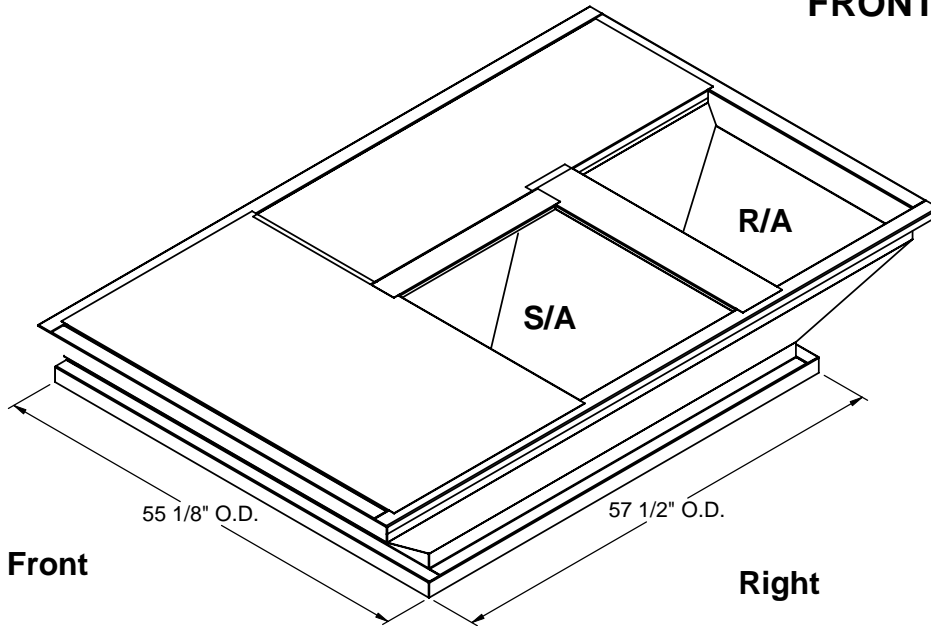
FOR YORK UNITS:  
ZH/ZJ 037, 049, 061  
ZF/ZH/ZJ/ZR/XP/DH/DM/DF/DR/BP 078-150: DJ 150



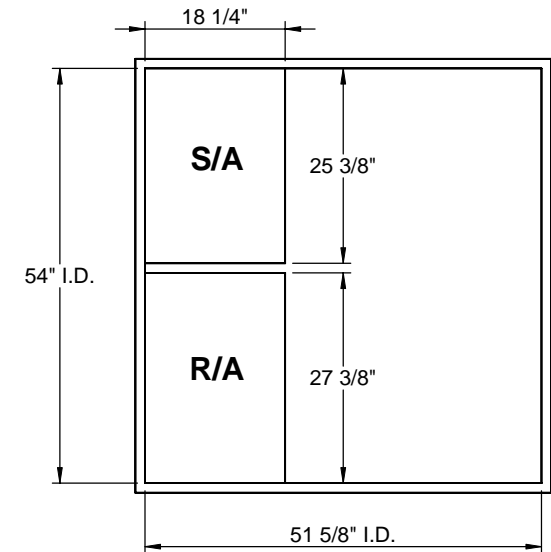
**FRONT VIEW**



**RIGHT VIEW**



**ISOMETRIC VIEW**



**EXISTING CURB**



1392 EAST PALOMAR STREET  
SUITE 403-234  
CHULA VISTA, CA 91913  
  
PHONE (619) 498-9246  
FAX (619) 872-9799

SUBMITTED TO: \_\_\_\_\_  
COMPANY: \_\_\_\_\_  
JOB NAME: \_\_\_\_\_  
EQUIPMENT: \_\_\_\_\_  
NOTES: \_\_\_\_\_

FORM NO: \_\_\_\_\_  
-  
  
DATE: 4/12/2010

PART NUMBER: CA-PRD3761-RHM01  
  
REV: -  
DRAWN BY: ALL