

FEATURES:

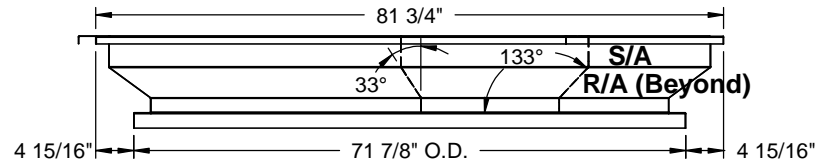
- Gasketing package provided.
- Insulation: 1"-1.5 lb. Density.
- Estimated Weight: 169 Lbs.
- All Galvanized Welded Construction.

CURB ADAPTER

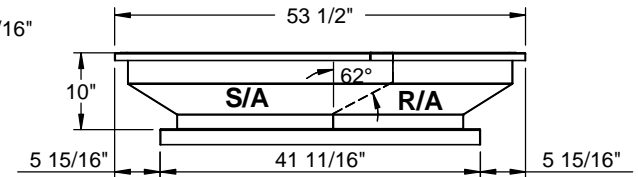
EXISTING CARRIER:
48/50 HJ, TJ, TF, TM, LJ, DJ 004-007

EXISTING BRYANT:
548/580 C, D, F: 551 A, B 036-072

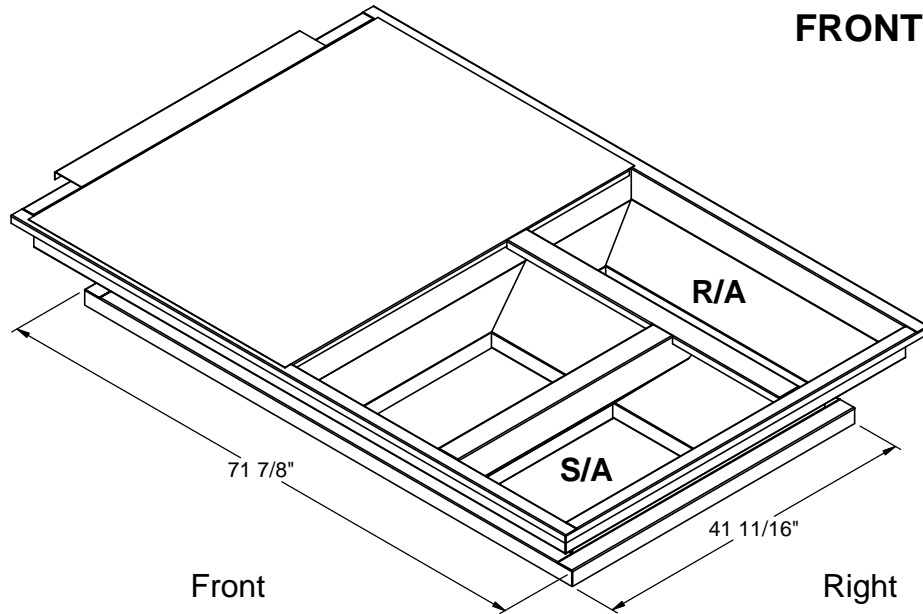
FOR YORK UNITS:
ZX, ZY 08-12; ZX14; ZY 074



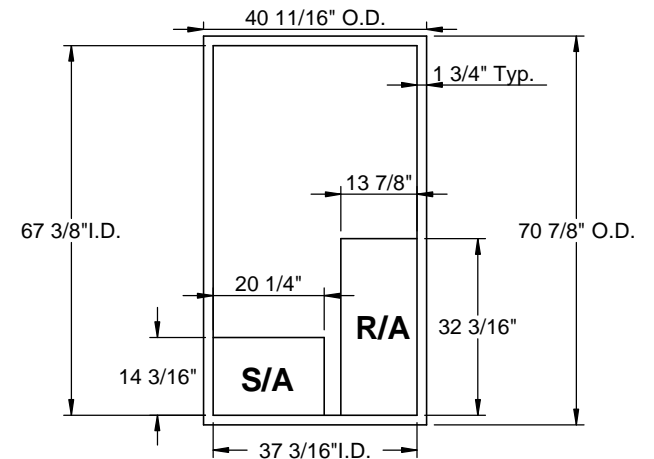
FRONT VIEW



RIGHT VIEW



ISOMETRIC VIEW



EXISTING CURB



3847 WABASH DRIVE
MIRA LOMA, CA 91752

PHONE (951) 685-1101
FAX (619) 872-9799

SUBMITTED TO: _____
COMPANY: _____
JOB NAME: _____
EQUIPMENT: _____
NOTES: _____

FORM NO:
-

PART NUMBER:
CA-PRL-CAR08

DATE:
8/17/2016

REV:
1

DRAWN BY:
JG