

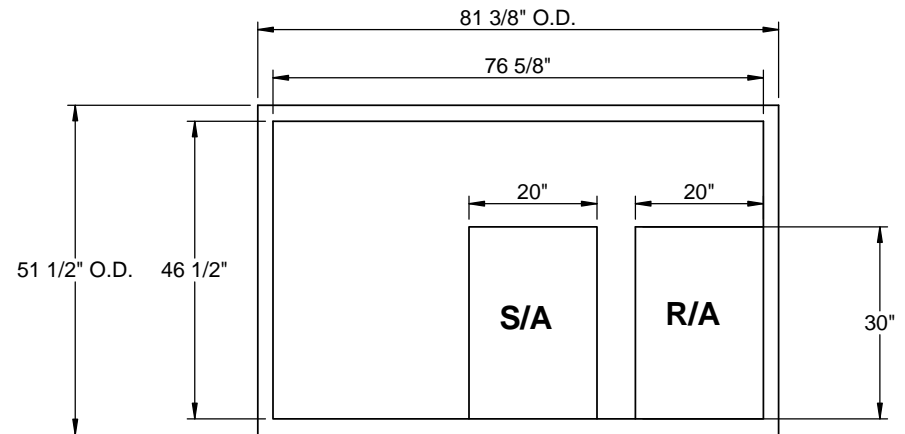
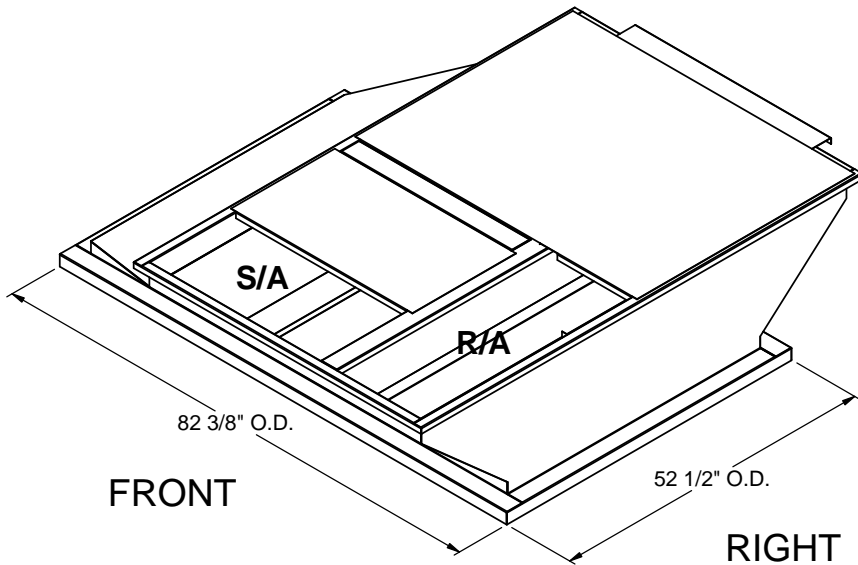
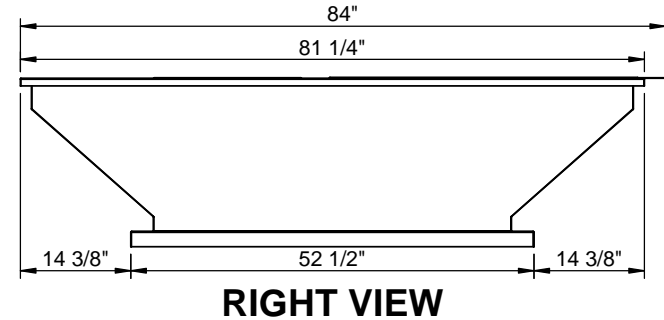
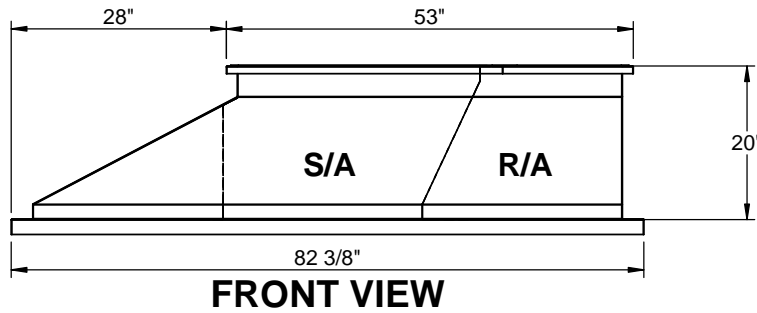
FEATURES:

- Gasketing package provided.
- Insulation: 1"-1.5 lb. Density.
- Estimated Weight: 304 Lbs.
- All Galvanized Welded Construction.

CURB ADAPTER

EXISTING YORK:
 ZT/ZR/ZH/ZJ 037, 049, 061
 ZF/ZH/ZJ/ZR/XP/DH/DM/DF/DR/BP 078-150: DJ 150

FOR YORK UNITS:
 ZX, ZY 08-12; ZX 14; ZY 07



3847 WABASH DRIVE
 MIRA LOMA, CA 91752

PHONE (951) 685-1101
 FAX (619) 872-9799

SUBMITTED TO: _____
 COMPANY: _____
 JOB NAME: _____
 EQUIPMENT: _____
 NOTES: _____

FORM NO:
 -

PART NUMBER:
 CA-PRL-YRK03

DATE:
 5/21/2015

REV:
 -

DRAWN BY:
 FMM