

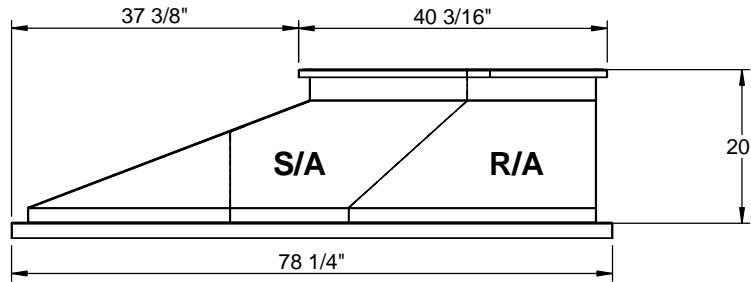
**FEATURES:**

- Gasketing package provided.
- Insulation: 1"-1.5 lb. Density.
- Estimated Weight: 256 Lbs.
- All Galvanized Welded Construction.

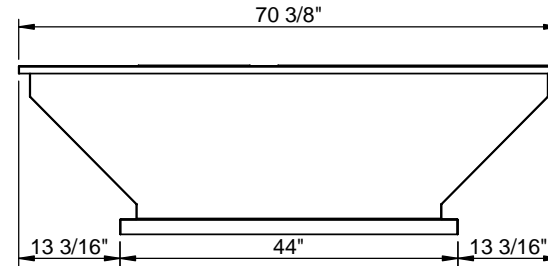
**CURB ADAPTER**

EXISTING TRANE:  
TCD, YCD, WCD, 036-060C; YCD 036-060A

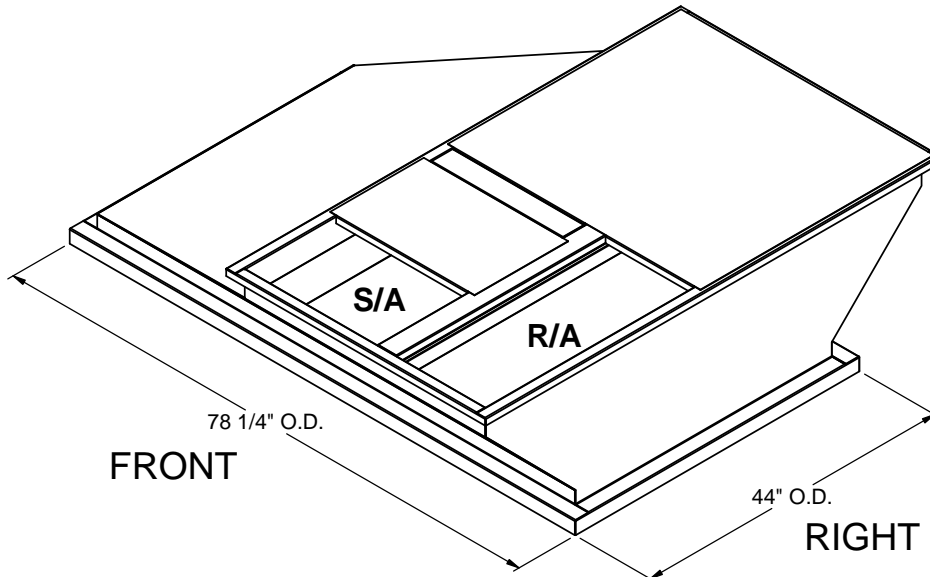
FOR YORK UNITS:  
ZX, ZY 04-06; ZX 07



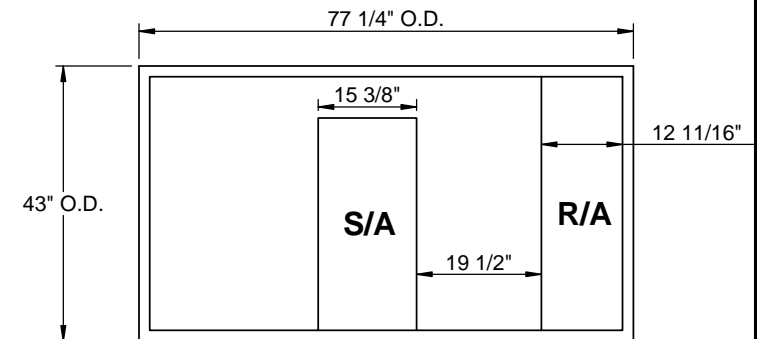
**FRONT VIEW**



**RIGHT VIEW**



**ISOMETRIC VIEW**



**EXISTING CURB**



3847 WABASH DRIVE  
MIRA LOMA, CA 91752

PHONE (951) 685-1101  
FAX (619) 872-9799

SUBMITTED TO: \_\_\_\_\_  
COMPANY: \_\_\_\_\_  
JOB NAME: \_\_\_\_\_  
EQUIPMENT: \_\_\_\_\_  
NOTES: \_\_\_\_\_

FORM NO:  
-

PART NUMBER:  
CA-PRS-TRN03

DATE:  
5/26/2015

REV:  
-

DRAWN BY:  
CNG