

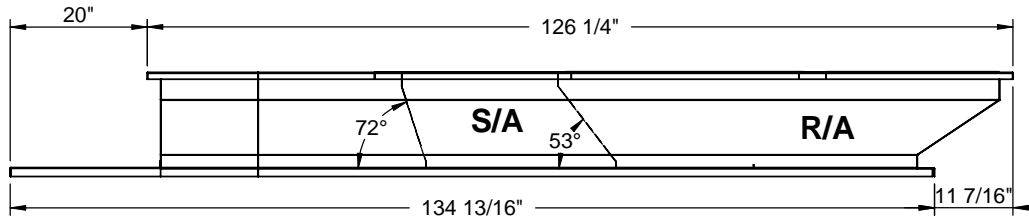
**FEATURES:**

- Gasketing package provided.
- Insulation: 1"-1.5 lb. Density.
- Estimated Weight: 325Lbs.
- All Galvanized Welded Construction.

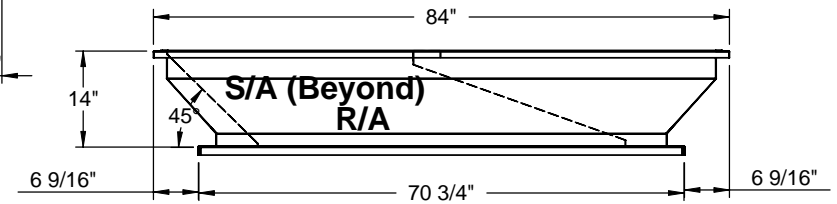
**CURB ADAPTER**

EXISTING LENNOX:  
CHP11/ CHA11 2753, GCS11 3003

FOR YORK UNITS:  
ZJ/ZF/DJ/ZR/WJ/DH/DR/WR/DM 180-300 BP/BQ 240

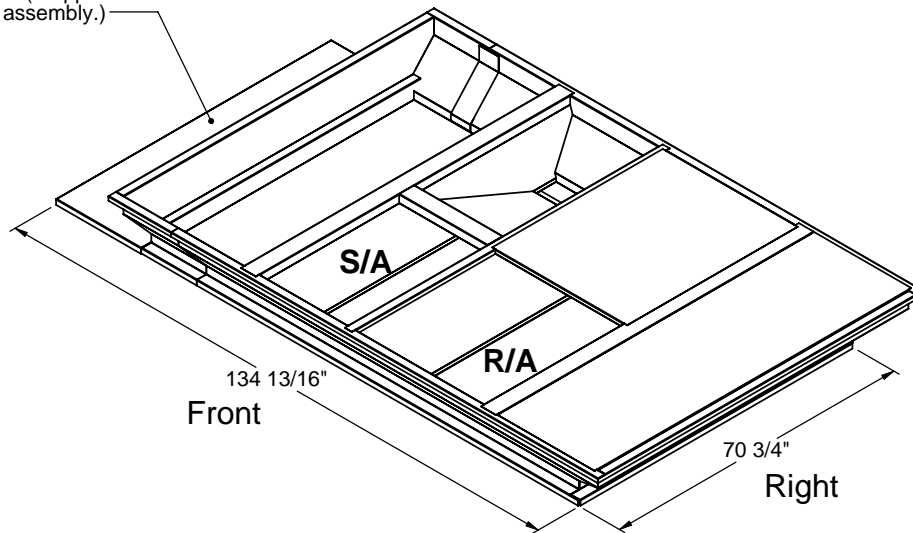


**FRONT VIEW**

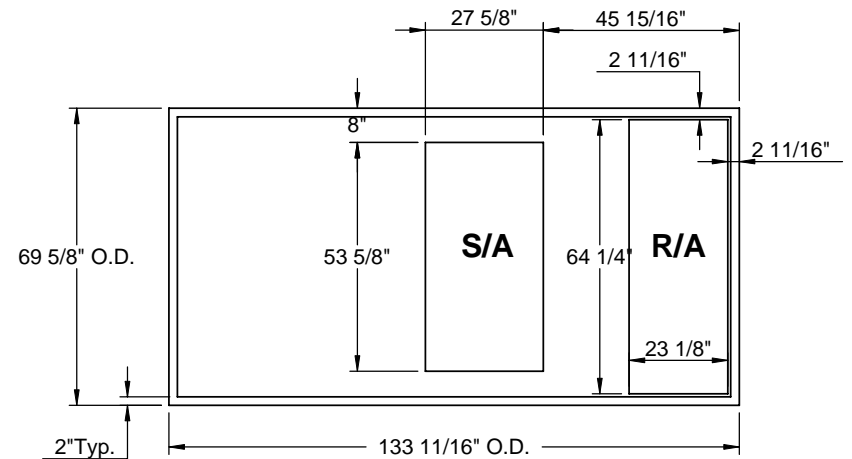


**RIGHT VIEW**

Deck Pan (Shipped loose for field assembly.)



**ISOMETRIC VIEW**



**EXISTING CURB**



1392 EAST PALOMAR STREET  
SUITE 403-234  
CHULA VISTA, CA 91913

PHONE (619) 498-9246  
FAX (619) 872-9799

SUBMITTED TO: \_\_\_\_\_  
COMPANY: \_\_\_\_\_  
JOB NAME: \_\_\_\_\_  
EQUIPMENT: \_\_\_\_\_  
NOTES: \_\_\_\_\_

FORM NO: \_\_\_\_\_

DATE:  
8/11/2009

PART NUMBER:  
CA-SLM1830-LEN02

REV:  
1

DRAWN BY:  
COC