

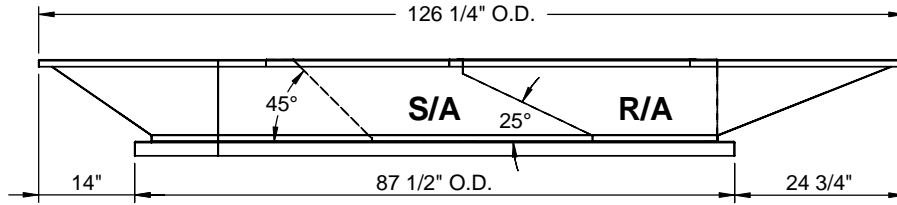
FEATURES:

- Gasketing package provided.
- Insulation: 1"-1.5 lb. Density.
- Estimated Weight: 377 Lbs.
- All Galvanized Welded Construction.

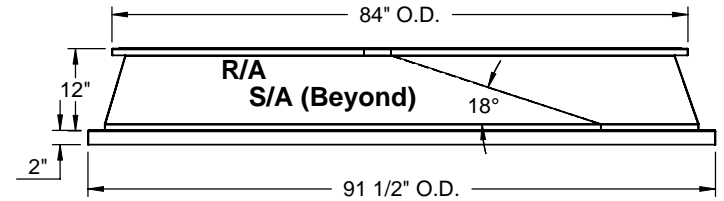
CURB ADAPTER

EXISTING YORK:
D1SS 108, 181, 182

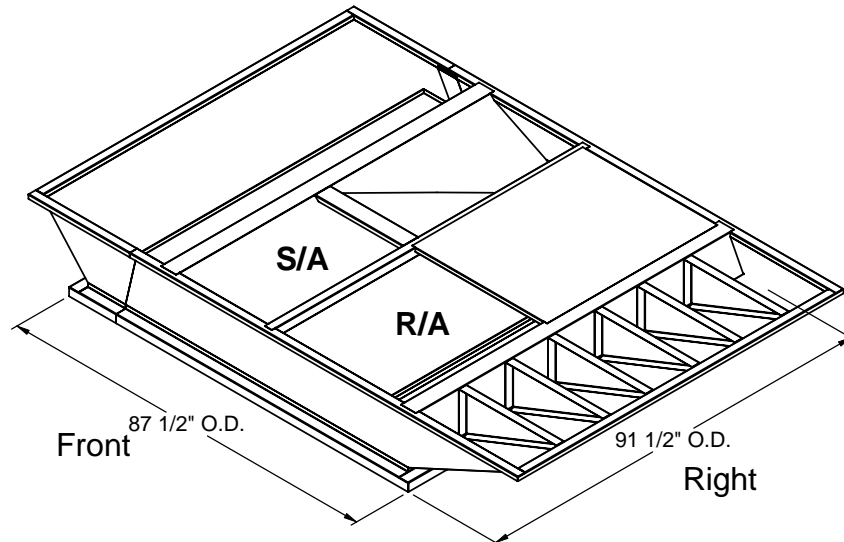
FOR YORK UNITS:
ZJ/ZF/DJ/ZR/WJ/DH/DR/WR/DM 180-300 BP/BQ 240



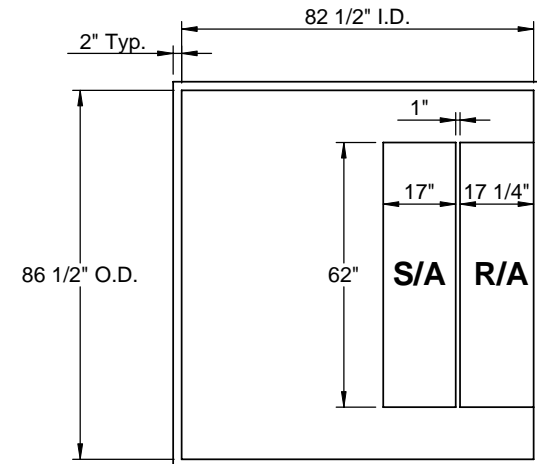
FRONT VIEW



RIGHT VIEW



ISOMETRIC VIEW



EXISTING CURB



1392 EAST PALOMAR STREET
SUITE 403-234
CHULA VISTA, CA 91913

PHONE (619) 498-9246
FAX (619) 872-9799

SUBMITTED TO: _____
COMPANY: _____
JOB NAME: _____
EQUIPMENT: _____
NOTES: _____

FORM NO: _____

DATE: 5/7/2010

PART NUMBER: CA-SLM1830-YRK01

REV: 1
DRAWN BY: FMM