

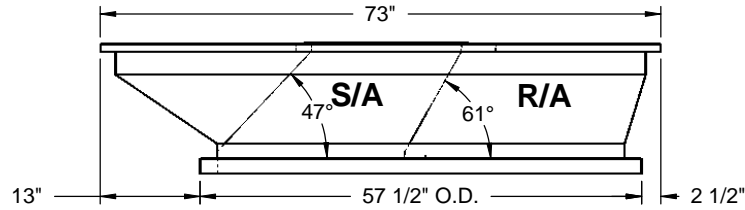
FEATURES:

- Gasketing package provided.
- Insulation: 1"-1.5 lb. Density.
- Estimated Weight: 148 Lbs.
- All Galvanized Welded Construction.

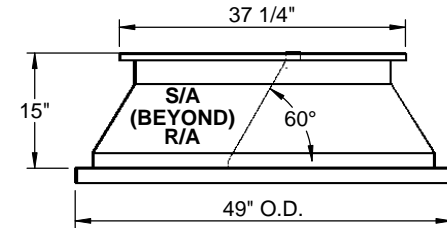
CURB ADAPTER

EXISTING RHEEM:
RPNC/RPND 042, 048, 058

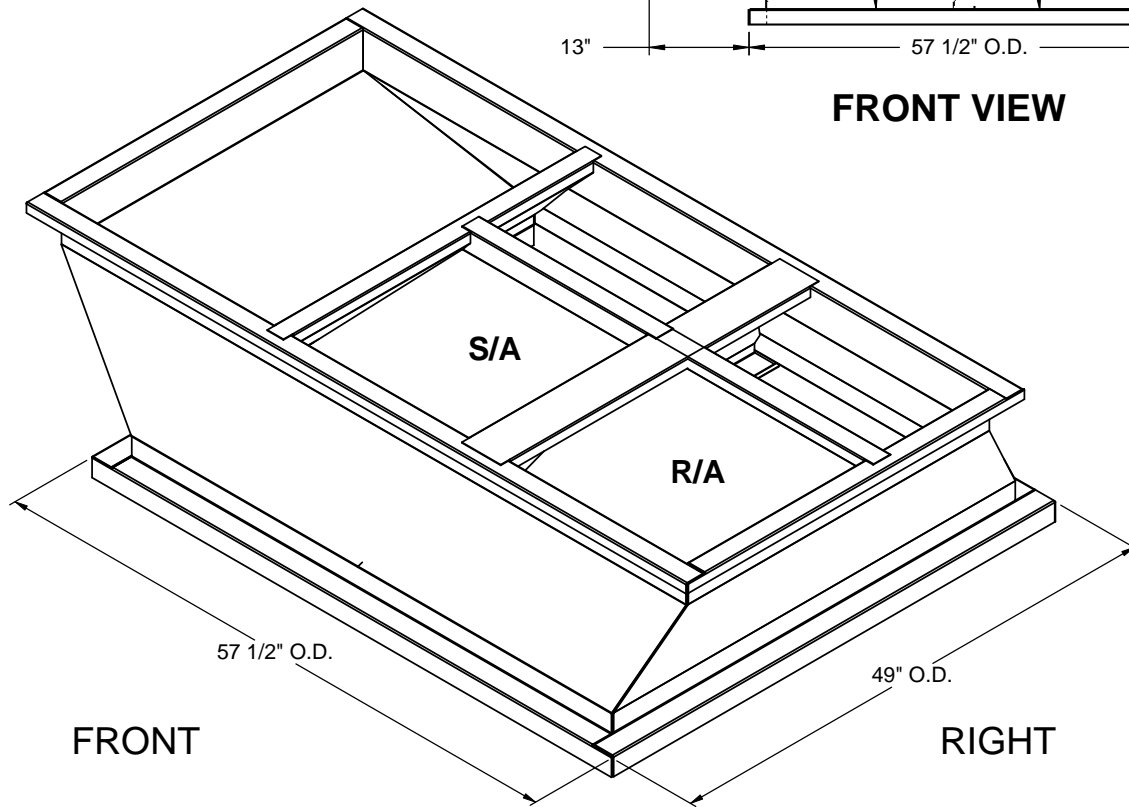
FOR YORK UNITS:
DM/DR/DCE/DCG/BP 036-072:
ZJ/XP/DY/DJ/DH/DHE/DHG/BQ/BCH/036-060: DF 072



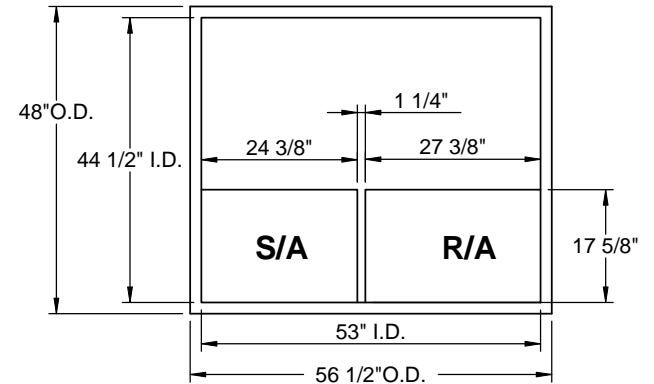
FRONT VIEW



RIGHT VIEW



ISOMETRIC VIEW



EXISTING CURB



3847 WABASH DRIVE
MIRA LOMA, CA 91752

PHONE (951) 685-1101
FAX (619) 872-9799

SUBMITTED TO: _____
COMPANY: _____
JOB NAME: _____
EQUIPMENT: _____
NOTES: _____

FORM NO:
-

PART NUMBER:
CA-SUN3672-RHM04

DATE:
4/28/2011

REV:
-

DRAWN BY:
CNG