

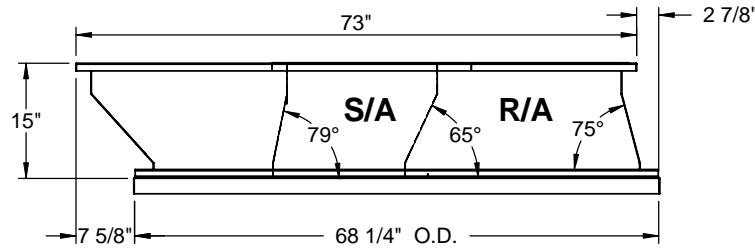
FEATURES:

- Gasketing package provided.
- Insulation: 1"-1.5 lb. Density.
- Estimated Weight: 203 Lbs.
- All Galvanized Welded Construction.

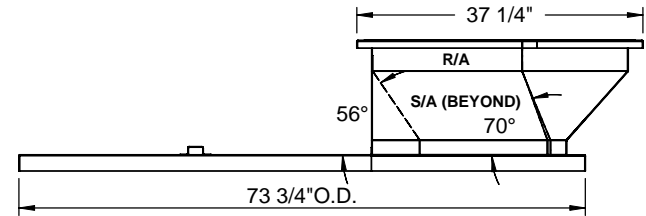
CURB ADAPTER

EXISTING YORK:
D2SM / D3SM / D4SM 060

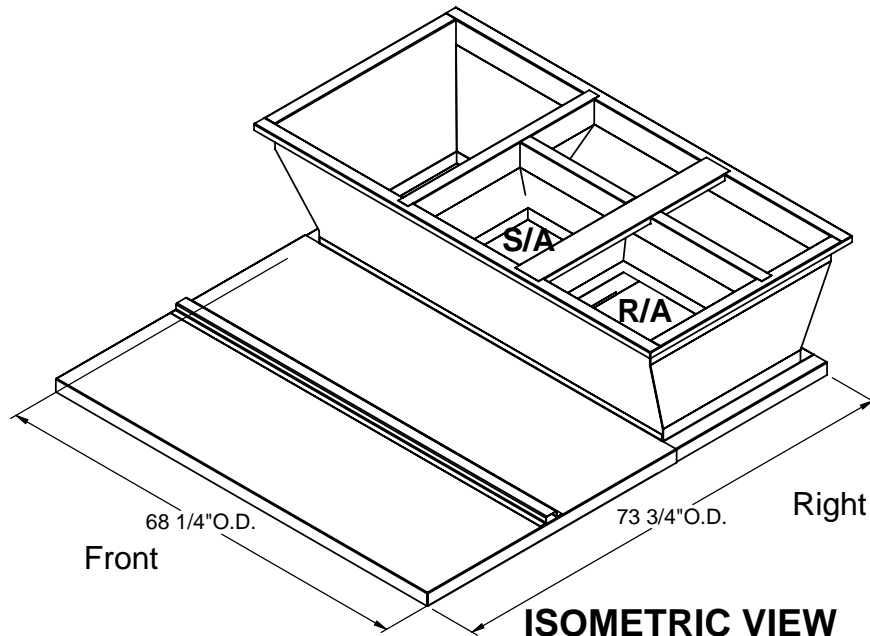
FOR YORK UNITS:
DM/DR/DCE/DCG/BP 036-072: ZJ/XP/DY/DJ/DH/DHE/DHG/BQ/BCH 036-060: DF 072



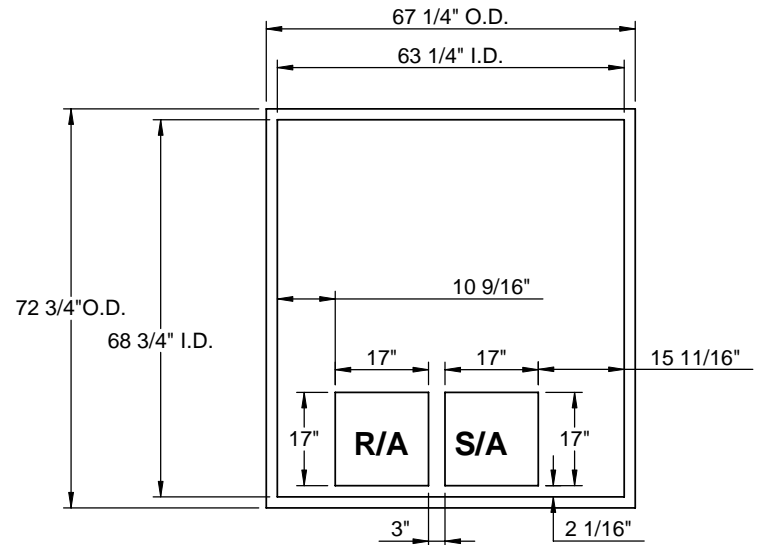
FRONT VIEW



RIGHT VIEW



ISOMETRIC VIEW



EXISTING CURB



1392 EAST PALOMAR STREET
SUITE 403-234
CHULA VISTA, CA 91913
PHONE (619) 498-9246
FAX (619) 872-9799

SUBMITTED TO: _____
COMPANY: _____
JOB NAME: _____
EQUIPMENT: _____
NOTES: _____

FORM NO: _____
DATE: 1/15/2010

PART NUMBER: CA-SUN3672-YRK06
REV: 1
DRAWN BY: JAHA