

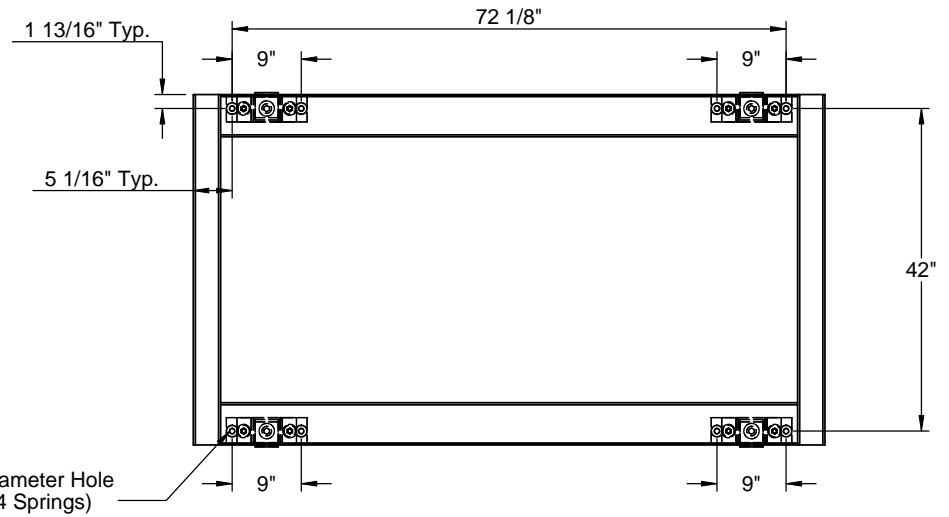
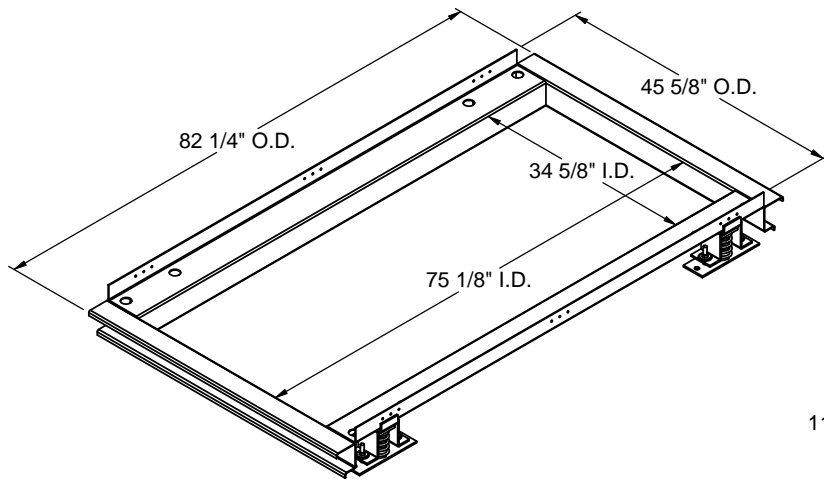
FEATURES

- Fully welded construction.
- 10 Ga. galvanized support frame.
- Estimated weight - 169 Lbs.
- Gasketing package provided.
- Restraints and springs have OSHPD pre-approval, OPA #0070.

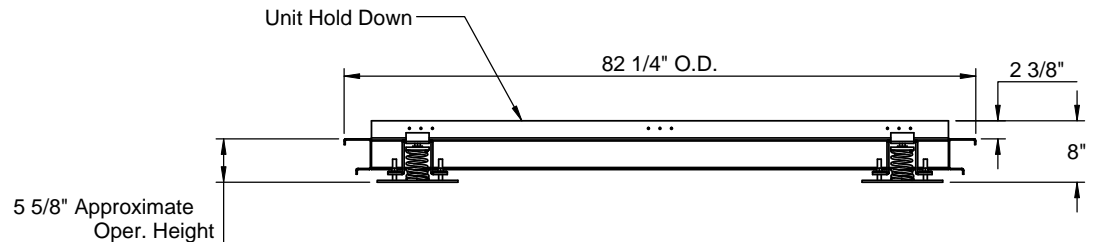
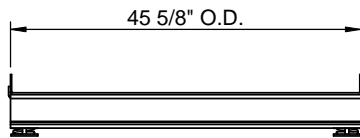
VIBRATION ISOLATION FRAME FOR HORIZONTAL YORK UNITS - LOW PROFILE

DM/DR/DCE/DCG/BP 036-072:
ZJ/XP/DY/DJ/DH/DHE/DHG/BQ/BCH 036-060: DF 072

Unit Model	Power Exhaust?	Provent P/N
ZF, ZJ, XP 036-060 ZR, ZY 036-048	NO	CBISHSUN36721
ZR, ZY 060; ZF 072	NO	CBISHSUN36722
ZF, ZJ, XP 036-060 ZR, ZY 036-048	YES	CBISHSUN3672P1
ZR, ZY 060; ZF 072	YES	CBISHSUN3672P2



Anchorage Location Detail



3847 WABASH DRIVE
MIRA LOMA, CA 91752

PHONE (951) 685-1101
FAX (619) 872-9799

SUBMITTED TO: _____
COMPANY: _____
JOB NAME: _____
EQUIPMENT: _____
NOTES: _____

FORM NO:
CBISH-115

PART NUMBER:
CBISHSUN3672 - SERIES

DATE:
10/23/2012

REV:
2

DRAWN BY:
CNG