

FEATURES

- Fully welded construction.
- 14 Ga. galvanized support frame.
- Estimated weight - 92 Lbs.
- Gasketing package provided.
- Restraints and springs have OSHPD pre-approval, OPA #0070.

VIBRATION ISOLATION FRAME FOR HORIZONTAL YORK UNITS - LOW PROFILE

P**4A ALL MODELS

Unit Model

Power Exhaust?

Provent P/N

P**4A ALL MODELS

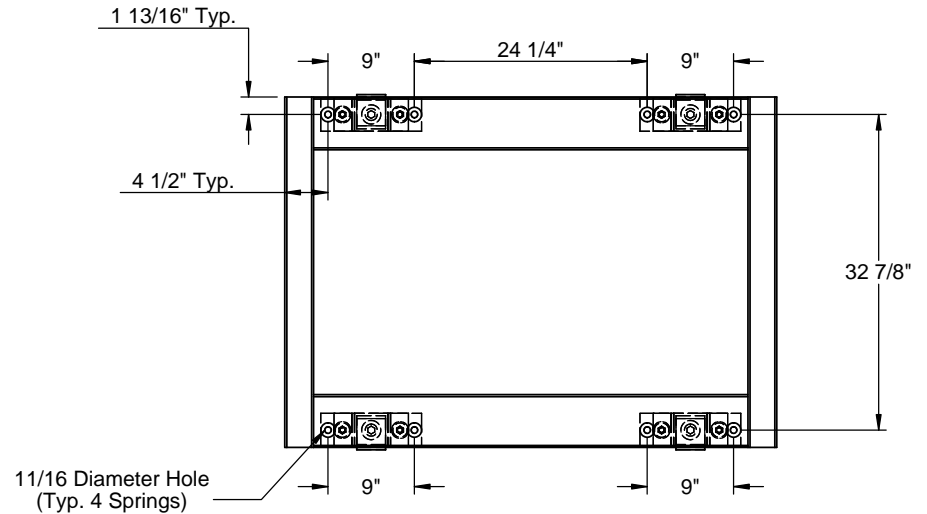
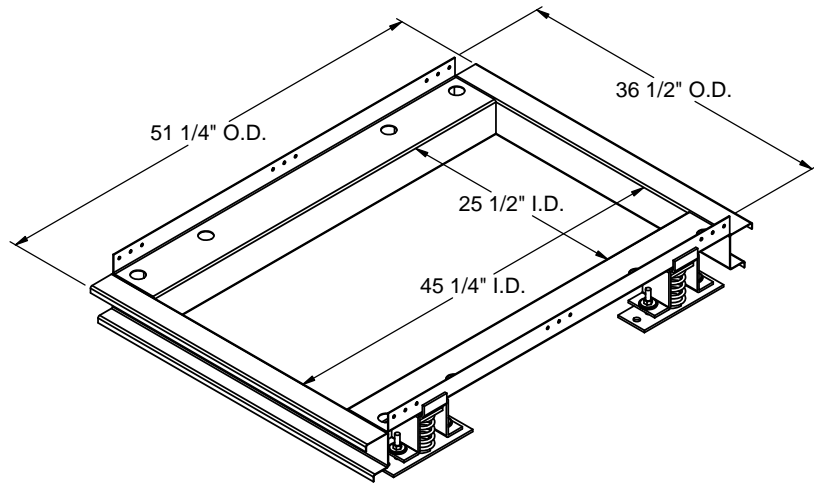
NO

CBISHLXS1

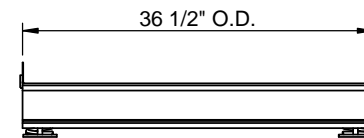
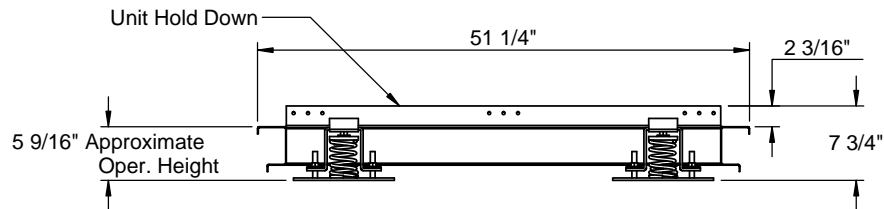
P**4A ALL MODELS

YES

CBISHLXSP1



Anchorage Location Detail



3847 WABASH DRIVE
MIRA LOMA, CA 91752

PHONE (951) 685-1101
FAX (619) 872-9799

SUBMITTED TO: _____
COMPANY: _____
JOB NAME: _____
EQUIPMENT: _____
NOTES: _____

FORM NO:
CBISH-120

PART NUMBER:
CBISHLXS - SERIES

DATE:
11/6/2015

REV:
-

DRAWN BY:
CNG