

**FEATURES**

- Roof curb perimeter made of 18 ga. galvanized steel.
- Gasketing package provided.
- Heat treated wood nailer provided.
- Corner flanges are pre-threaded for easy bolt on assembly.
- Pitched, adjustable pitch/adjustable height, welded, different height, isolation and calculated curbs are available.

**NOTES**

- Attach ductwork to roof curb. Flanges of duct rest on top of the curb. Support ductwork below the curb.

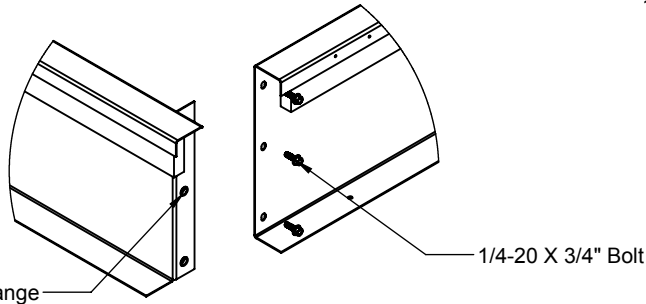
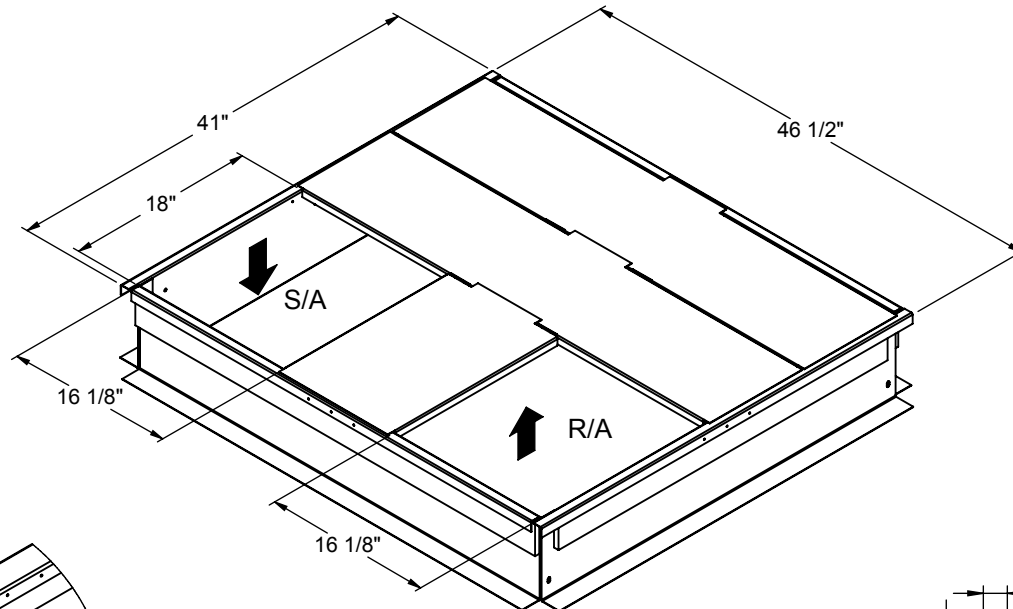
**KNOCK-DOWN ROOF CURBS FOR YORK UNITS**

P\*\*\*B ALL MODELS

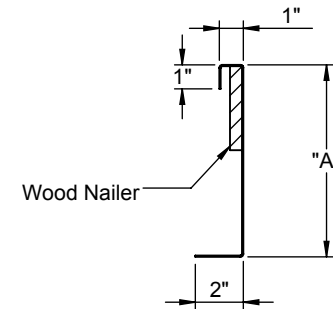
PROVENT P/N	A	EST. WEIGHT	SEISMIC KIT P/N
CBKDLXL08	8"	53 Lbs.	KDKITLX
CBKDLXL11	11"	64 Lbs.	
CBKDLXL14	14"	75 Lbs.	
CBKDLXL24	24"	114 Lbs.	

When conforming to CBC 2019 and IBC 2018, include optional seismic kit.

**Available on 8" - 14"**



**CORNER DETAIL**



**CROSS SECTION DETAIL**



3847 WABASH DR.  
MIRA LOMA, CA 91725

PHONE (951) 685-1101  
FAX (619) 872-9799

SUBMITTED TO: \_\_\_\_\_  
COMPANY: \_\_\_\_\_  
JOB NAME: \_\_\_\_\_  
EQUIPMENT: \_\_\_\_\_  
NOTES: \_\_\_\_\_

FORM NO:  
CBKD-151

PART NUMBER:  
CBKDLXL SERIES

DATE:  
04/21/2021

REV:  
M3

DRAWN BY:  
CNG