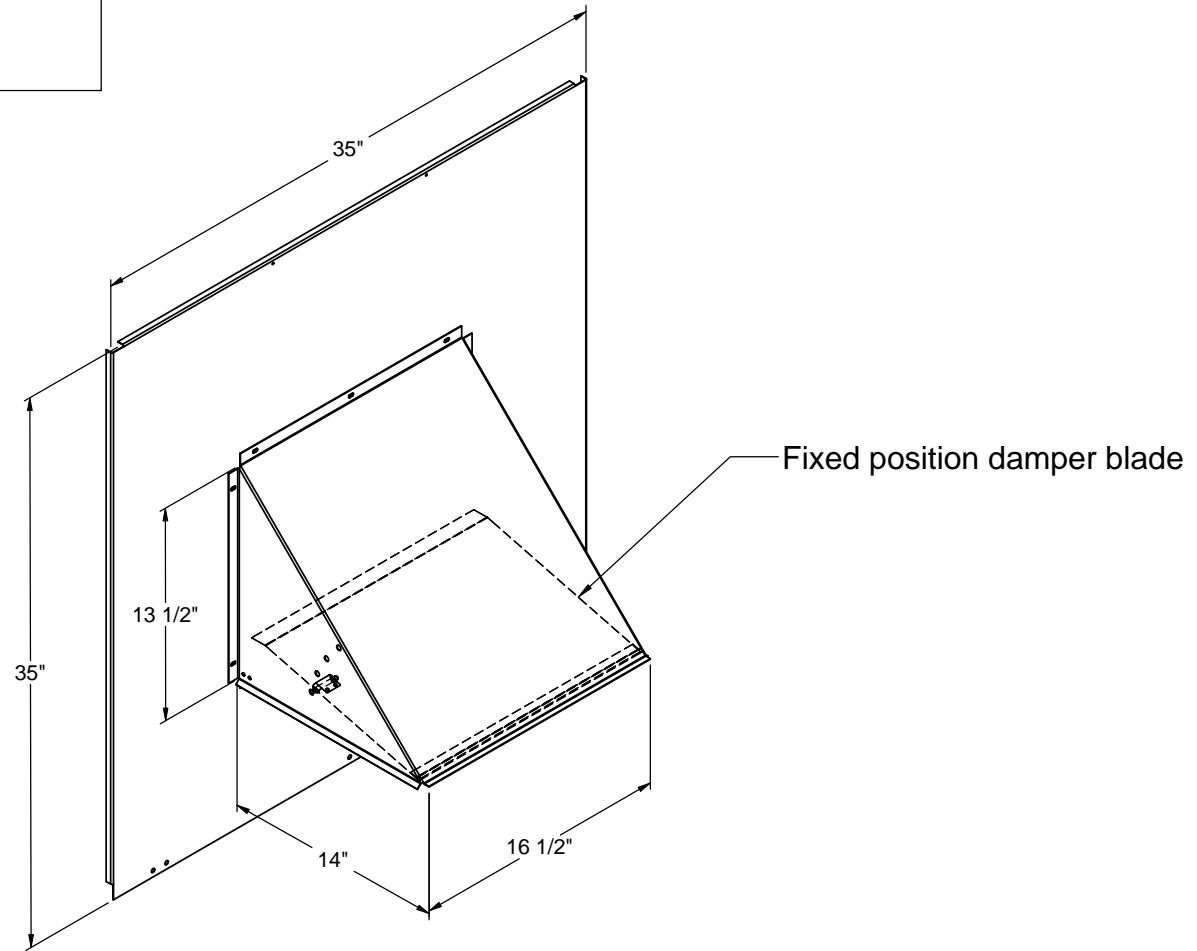


**FEATURES:**

- Painted hood and panels match factory specifications and color.
- Fully insulated panel (Insulation: 1"-1.5 lb. Density).
- Estimated Weight: 28 Lbs.

**0 - 25% OUTSIDE AIR PACKAGE FOR ALLIED UNITS**

**KGA, KCA 024-060; KHA 024-048 S**



3847 WABASH DRIVE  
MIRA LOMA, CA 91752

PHONE (951) 685-1101  
FAX (619) 872-9799

SUBMITTED TO: \_\_\_\_\_  
COMPANY: \_\_\_\_\_  
JOB NAME: \_\_\_\_\_  
EQUIPMENT: \_\_\_\_\_  
NOTES: \_\_\_\_\_

FORM NO:  
-

PART NUMBER:  
OABXS25

DATE:  
12/13/2012

REV:  
-

DRAWN BY:  
CNG