

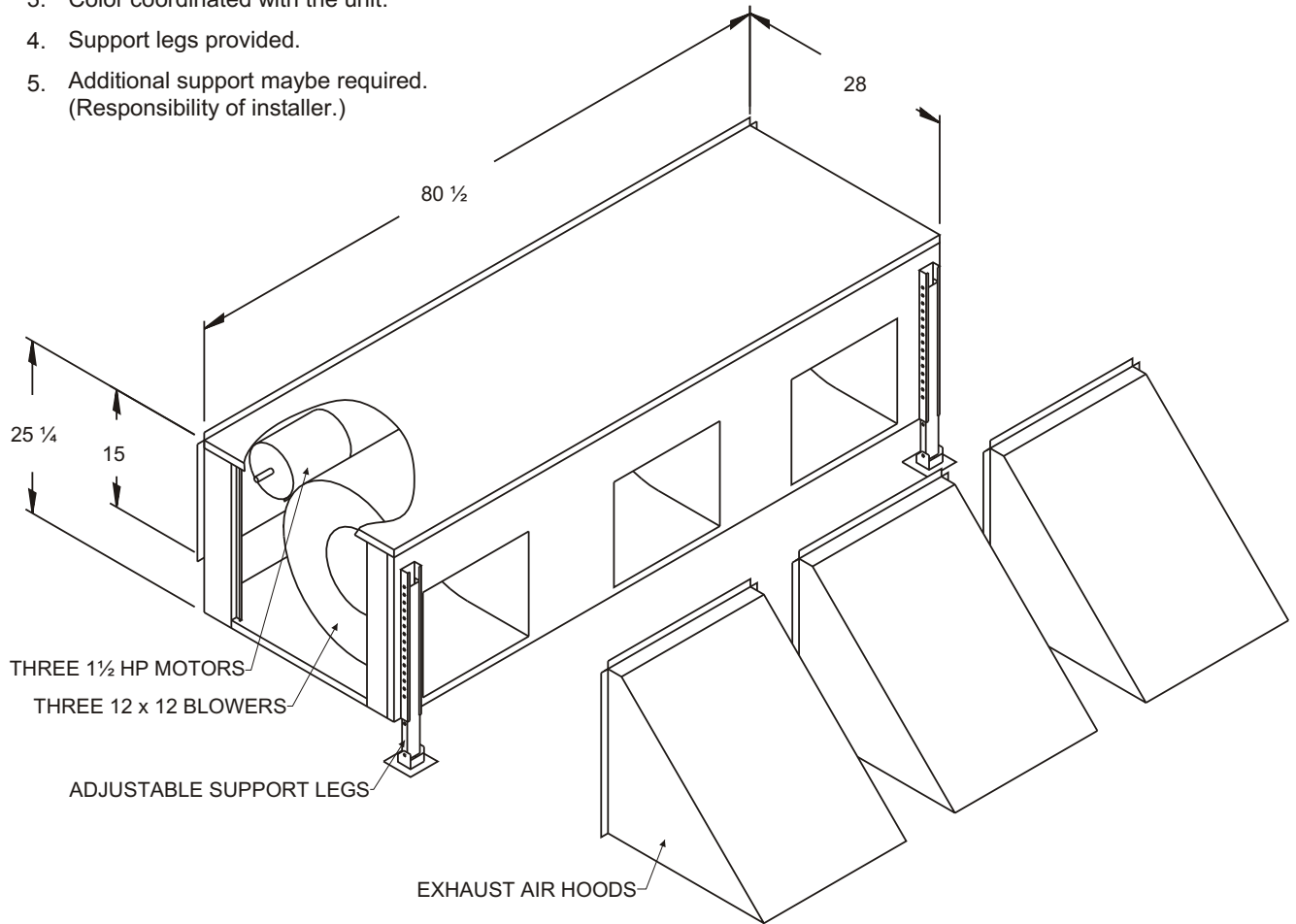


**SPECIFICATION DATA FOR
LENNOX INDUSTRIES
LGH / LCH 242, 300H, 360 UNITS**

**MODULATING POWER EXHAUST ACCESSORY
(BLOWER)**

Notes:

1. Shipped completely assembled and factory tested.
2. All wiring from control box to unit is field supplied.
3. Color coordinated with the unit.
4. Support legs provided.
5. Additional support maybe required.
(Responsibility of installer.)



PROVENT MODEL#	VOLT	PHASE	MOTOR			UNIT					
			QTY	HP	RPM	FLA	MCA	FUSE SIZE	@ 0.1		BLOWER SIZE
									CFM	RPM	
PEDCDBX25M	230	3	3	2	1725	16.8	21	25	12000	665	12 x 12
PEDCDBX46M	460					8.4	10.5	15			

