

FEATURES

- 1/2" Bars Welded 6" on Center
- Fully Welded Construction.

**ROOF CURB BURGLAR BAR INSERTS
FOR YORK UNITS**

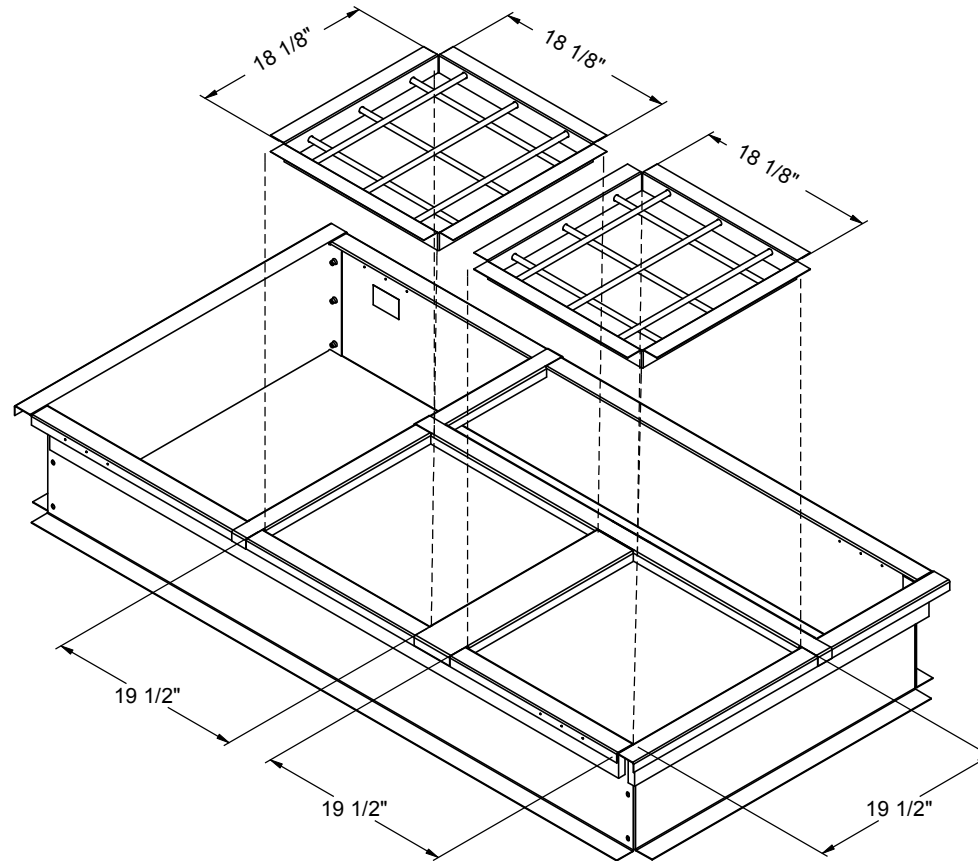
**DM/DR/DCG/BP 036-072:
ZJ/XP/DY/DJ/DH/DHE/DHG/BQ/BCH 036-060: DF 072**

ProVent P/N

Wt.

BBARSUN3672

21 Lbs



1392 EAST PALOMAR STREET
SUITE 403-234
CHULA VISTA, CA 91913

PHONE (619) 498-9246
FAX (619) 872-9799

SUBMITTED TO: _____
COMPANY: _____
JOB NAME: _____
EQUIPMENT: _____
NOTES: _____

FORM NO:

BBAR-102

DATE:

1/12/2009

REV:

1

DRAWN BY:

COC