

FEATURES

- 1/2" Bars Welded 6" on Center.
- Fully Welded Construction.

**ROOF CURB BURGLAR BAR INSERTS
FOR YORK UNITS**

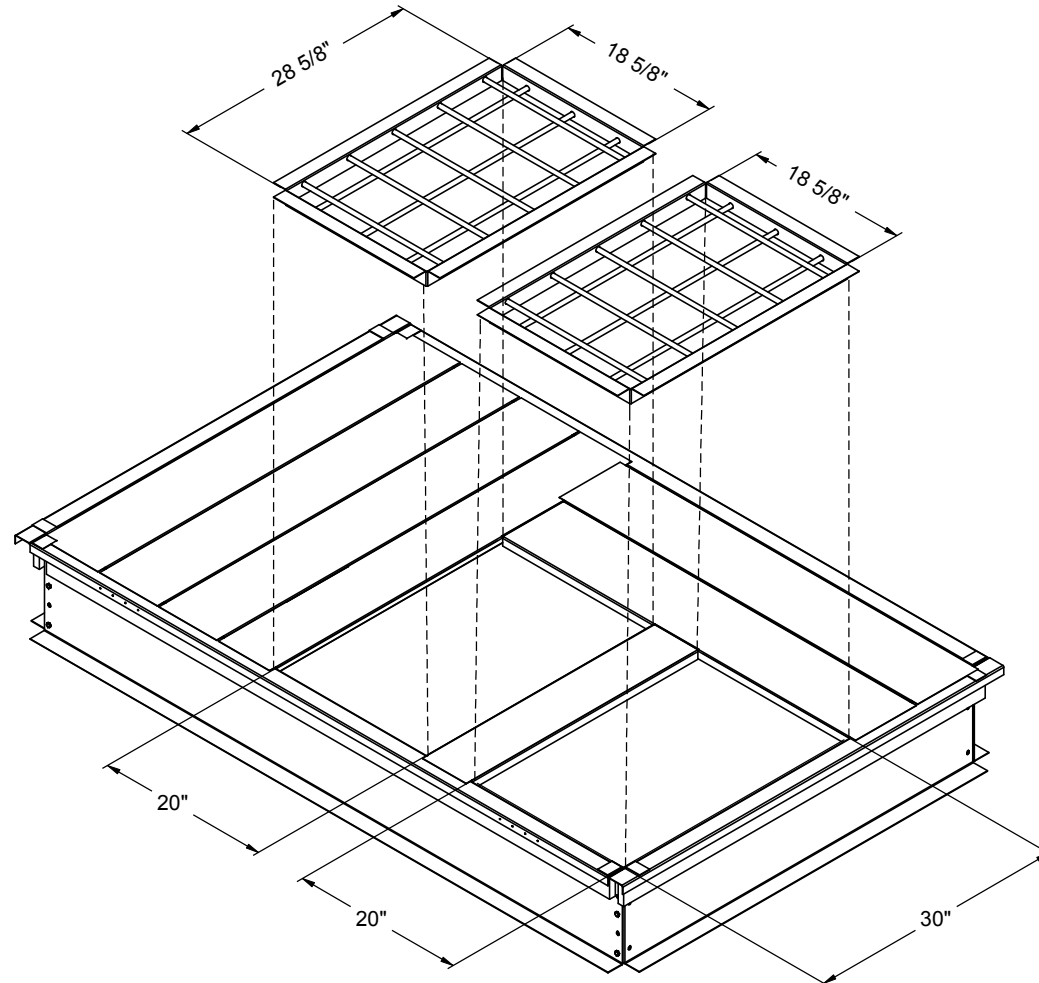
ZH/ZR/XP/DH/DM/DF/DR/BP 078-150: DJ 150

ProVent P/N

Wt.

BBARPRD7815

31 Lbs



1392 EAST PALOMAR STREET
SUITE 403-234
CHULA VISTA, CA 91913

PHONE (619) 498-9246
FAX (619) 872-9799

SUBMITTED TO: _____

COMPANY: _____

JOB NAME: _____

EQUIPMENT: _____

NOTES: _____

FORM NO:

BBAR-103

DATE:

1/12/2009

REV:

1

DRAWN BY:

COC