

FEATURES

- 1/2" bars welded 6" on center.
- Fully welded construction.

**ROOF CURB BURGLAR BAR INSERTS
FOR YORK UNITS**

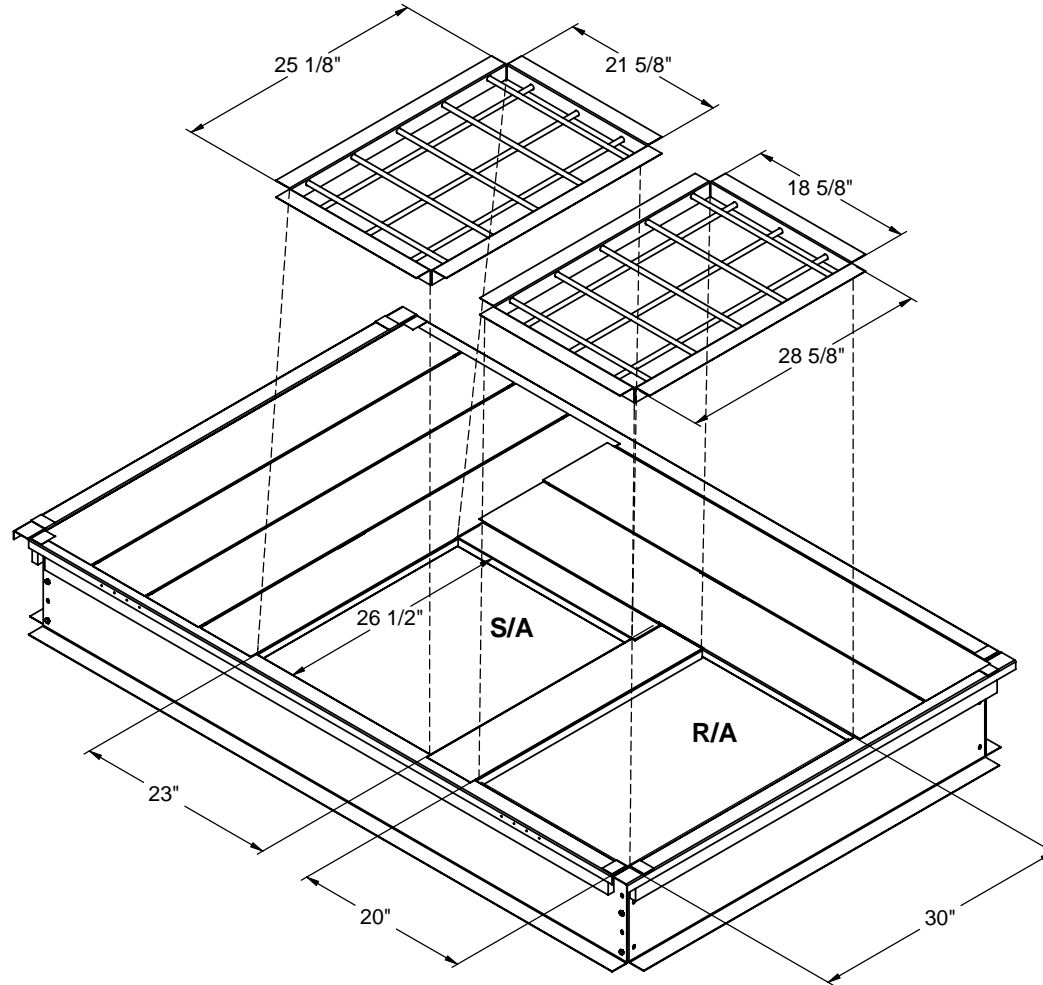
**ZH/ZJ 037, 049, 061
ZF/ZH/ZJ/ZR/XP/DH/DM/DF/DR/BP 078-150: DJ 150**

ProVent P/N

Wt.

BBARPRD3715

31 Lbs



1392 EAST PALOMAR STREET
SUITE 403-234
CHULA VISTA, CA 91913

PHONE (619) 498-9246
FAX (619) 872-9799

SUBMITTED TO: _____
COMPANY: _____
JOB NAME: _____
EQUIPMENT: _____
NOTES: _____

FORM NO:

BBAR-107

DATE:
10/16/2009

REV:
1

DRAWN BY:
PWM