

FEATURES

- 1/2" bars welded 6" on center.
- Fully welded construction.

**ROOF CURB BURGLAR BAR INSERTS
FOR YORK UNITS**

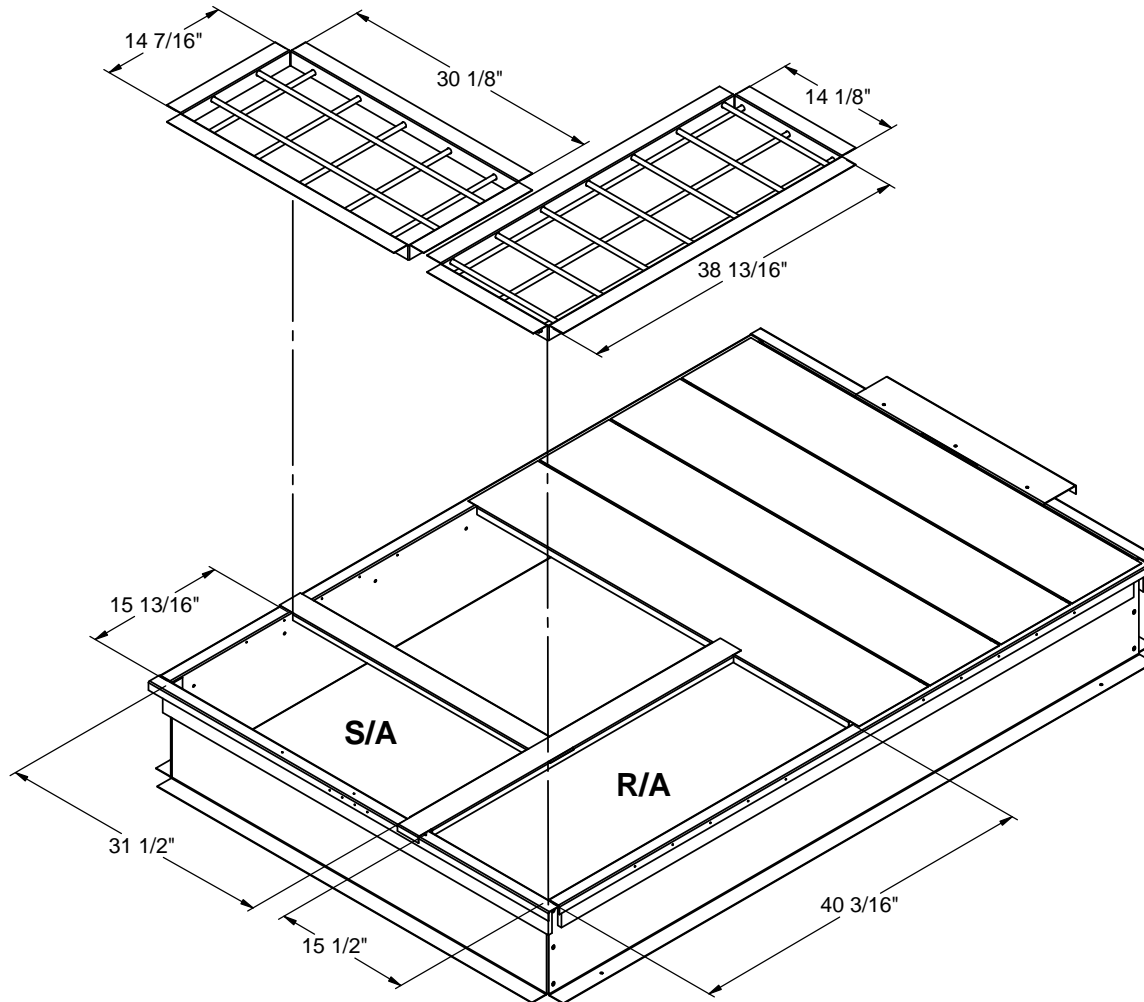
ZX, ZY 08-12; ZX 14; ZY 07

ProVent P/N

Wt.

BBARPRL

34 Lbs



3847 WABASH DRIVE
MIRA LOMA, CA 91752

PHONE (951) 685-1101
FAX (619) 872-9799

SUBMITTED TO: _____
 COMPANY: _____
 JOB NAME: _____
 EQUIPMENT: _____
 NOTES: _____

FORM NO:

BBARPRL

DATE:
1/7/2016

REV:
-

DRAWN BY:
CNG