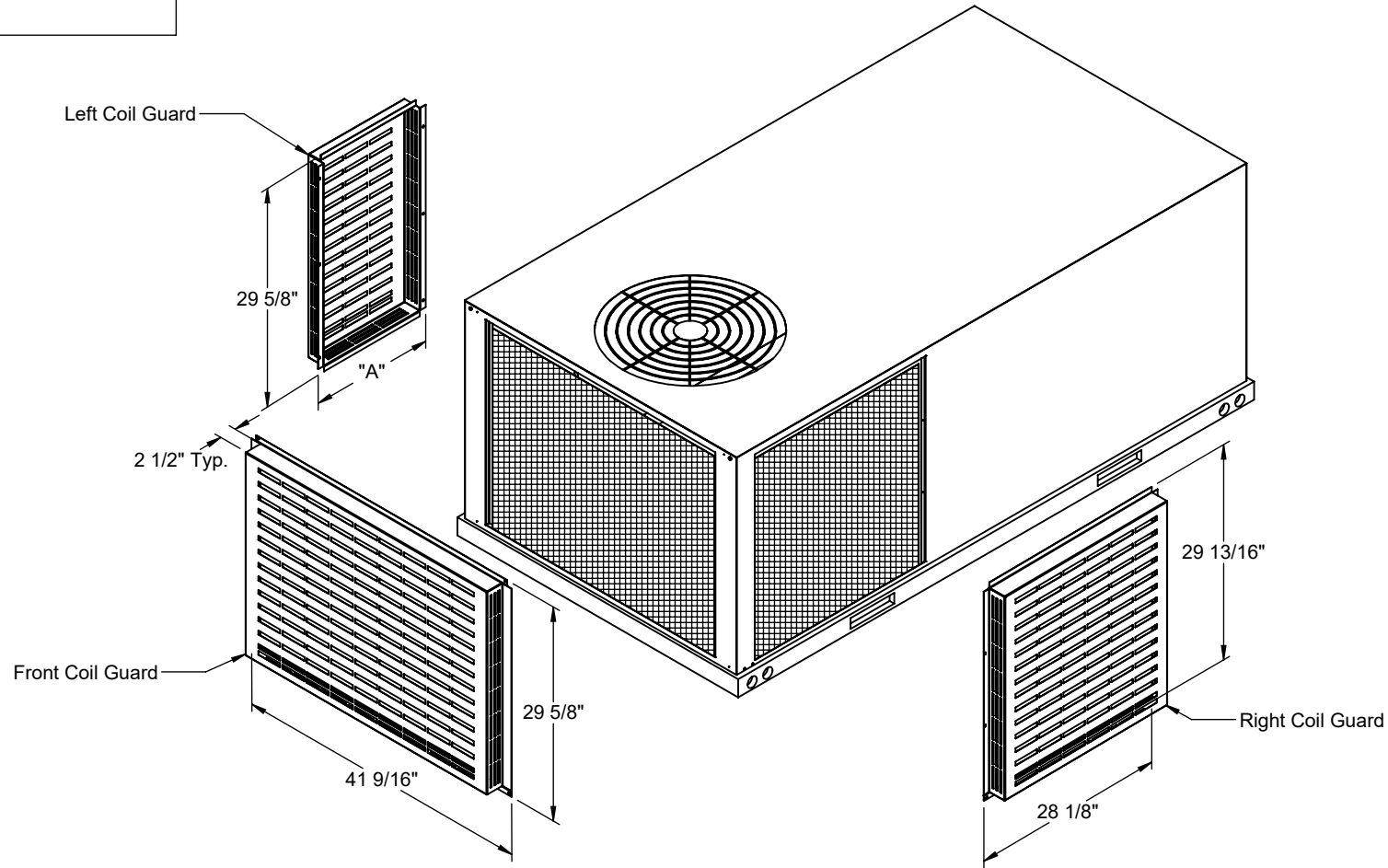


**FEATURES:**

- Pre-Painted Metal Guard
- Ships fully assembled.
- Louver Protection

**HAIL GUARD/COIL GUARD FOR  
YORK SUNLINE ZR, XN, XP 036-060; ZE, ZF 036-072 UNITS**

PROVENT P/N	UNITS	DIM "A"	WT.
CGSUN36721	ZR/ZF/XN/XP 036-060 ZE 036-048	14-7/16"	34 Lbs.
CGSUNZF0721	ZE 060-072; ZF 072	17-3/16"	36 Lbs.



3847 WABASH DRIVE  
MIRA LOMA, CA 91752

PHONE (951) 685-1101  
FAX (619) 872-9799

SUBMITTED TO: \_\_\_\_\_  
 COMPANY: \_\_\_\_\_  
 JOB NAME: \_\_\_\_\_  
 EQUIPMENT: \_\_\_\_\_  
 NOTES: \_\_\_\_\_

FORM NO:  
CG-109

PART NUMBER:  
-

DATE:  
2/19/2020

REV:  
6

DRAWN BY:  
ALL