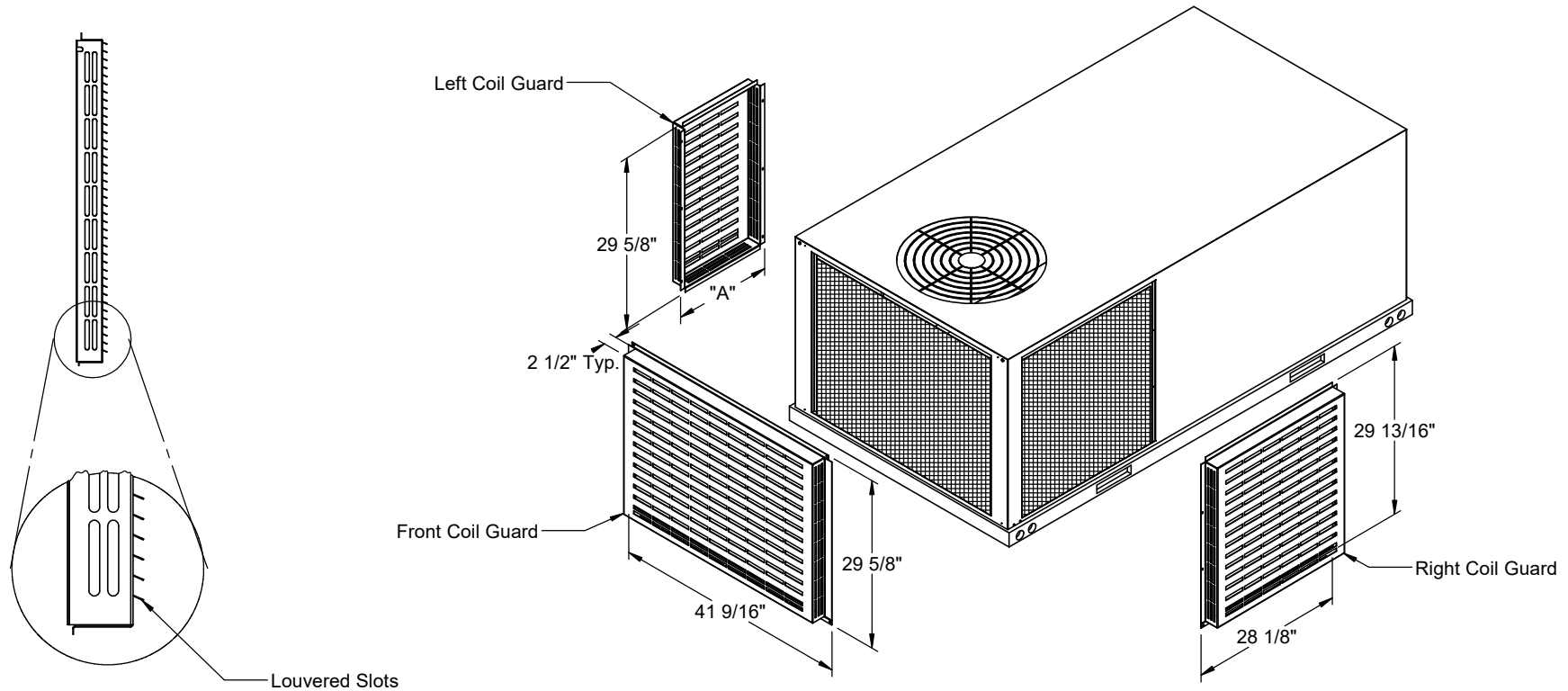



FEATURES: • Pre-Painted Metal Guard • Louver Protection	HAIL GUARD/COIL GUARD FOR YORK SUNLINE UNITS		PROVENT P/N	UNITS	DIM "A"	WT.
	ZR, XN, XP 036-060; ZE, ZF 036-072 UNITS		CGSUN36721	ZR, ZF, XN, XP, WN 036-060 ZE, KE 036-048	14-7/16"	34 Lbs.
			CGSUNZF0721	ZE, KE 060-072; ZF 072	17-3/16"	36 Lbs.



SIDE DETAIL

	3847 WABASH DRIVE MIRA LOMA, CA 91752 PHONE (951) 685-1101 FAX (619) 872-9799	SUBMITTED TO: _____ COMPANY: _____ JOB NAME: _____ EQUIPMENT: _____ NOTES: _____		FORM NO: CG-109	PART NUMBER: -
		DATE: 5/9/2025	REV: 7	DRAWN BY: CNG	