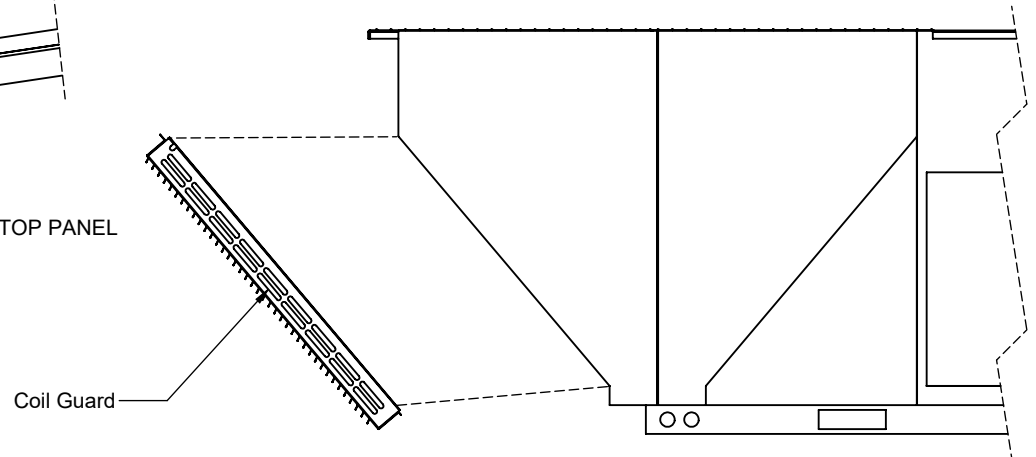
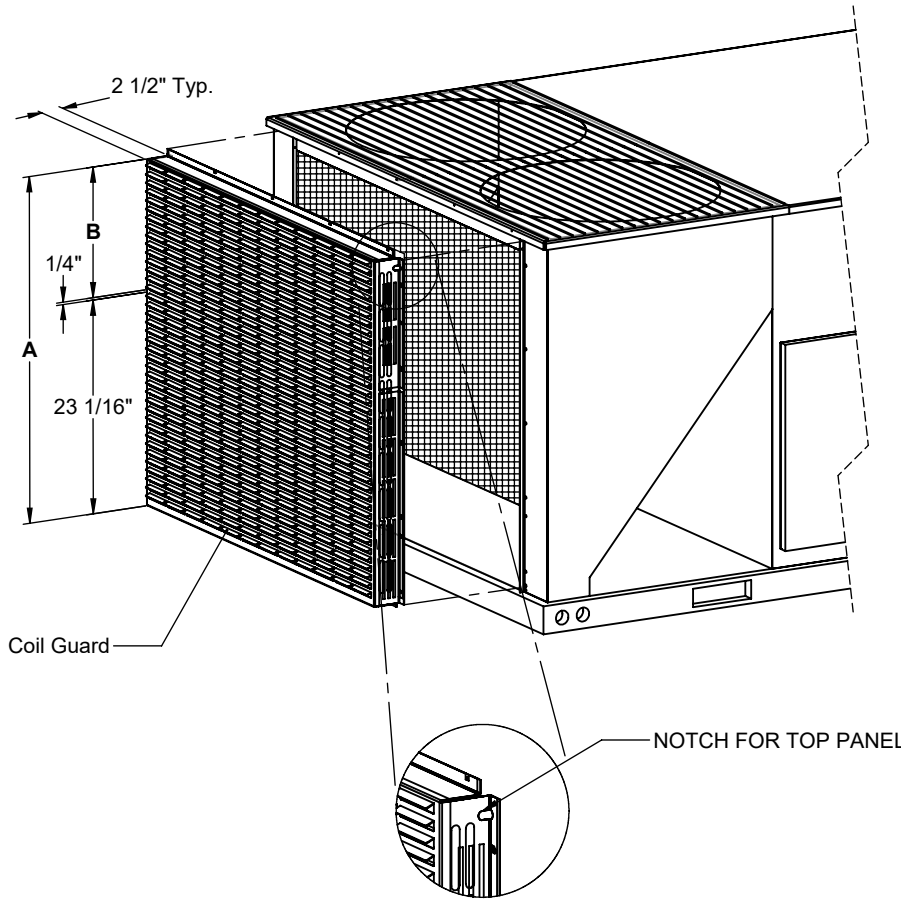


**FEATURES:**

- Pre-Painted Metal Guard
- Ships fully assembled.
- Louver Protection

**HAIL GUARD/COIL GUARD FOR YORK PREDATOR UNITS**

PROVENT P/N:	UNITS	DIM "A"	DIM "B"	WT.
CGPRDSC1	ZT,ZR,ZH,ZJ 037, 049, 061 ZF,ZH,ZR 078, 090	37-3/8"	14-1/16"	21 Lbs.
CGPRDLC1	ZJ, XP 078-120 ZF 102-120, ZH, ZR 102, 120	46-3/8"	23-1/16"	28 Lbs.
CGPRDLC2	ZH,ZJ,ZR,XP 150; ZT 120	35-1/4"	13-15/16"	20 Lbs.
CGPRDLC3	ZT 078-090; ZF 150	43-17/32"	20-7/32"	25 Lbs.
CGPRDLC4	ZT 102	43-5/8"	20-9/16"	25 Lbs.
CGPRDLC5	ZT 150	35-1/2"	12-7/16"	21 Lbs.



\* XP078-090 GEN. 1-5 USE CGPRDSC1  
GEN. 6 AND UP USE CGPRDLC1



3847 WABASH DRIVE  
MIRA LOMA, CA 91752

PHONE (951)685-1101  
FAX (619) 872-9799

SUBMITTED TO: \_\_\_\_\_  
COMPANY: \_\_\_\_\_  
JOB NAME: \_\_\_\_\_  
EQUIPMENT: \_\_\_\_\_  
NOTES: \_\_\_\_\_

FORM NO:  
CG-110

DATE:  
3/10/2021

PART NUMBER:  
CGPRD Series

REV:  
12

DRAWN BY:  
ALL