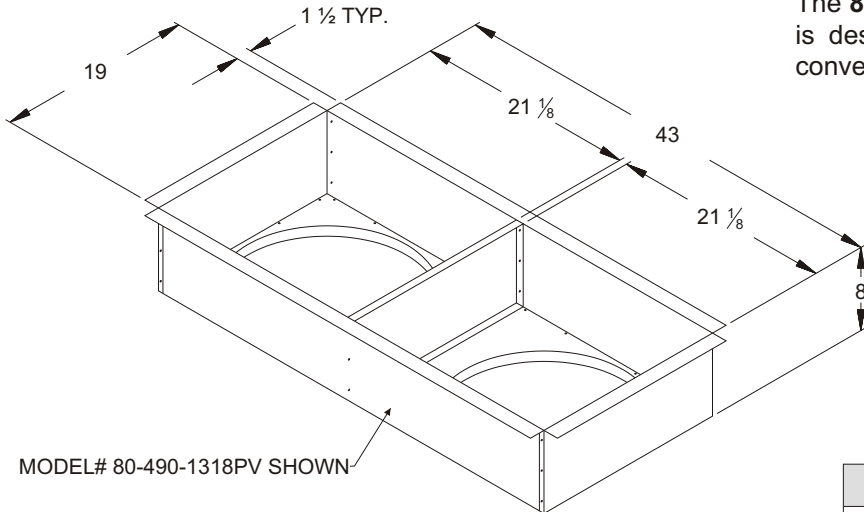




**SPECIFICATION DATA FOR  
YORK INTERNATIONAL  
ZF/ZR/ZJ/DY/DJ/XP/BQ/BCH 036-060  
DR/BP 036-072 / DF/DM 072 UNITS**

**MODEL#: 80-490-13\*\*PV  
CONCENTRIC CURB ADAPTOR**

The **80-490-13** Concentric Curb Adaptor is designed to drop into the curb and convert the square duct unit connections.

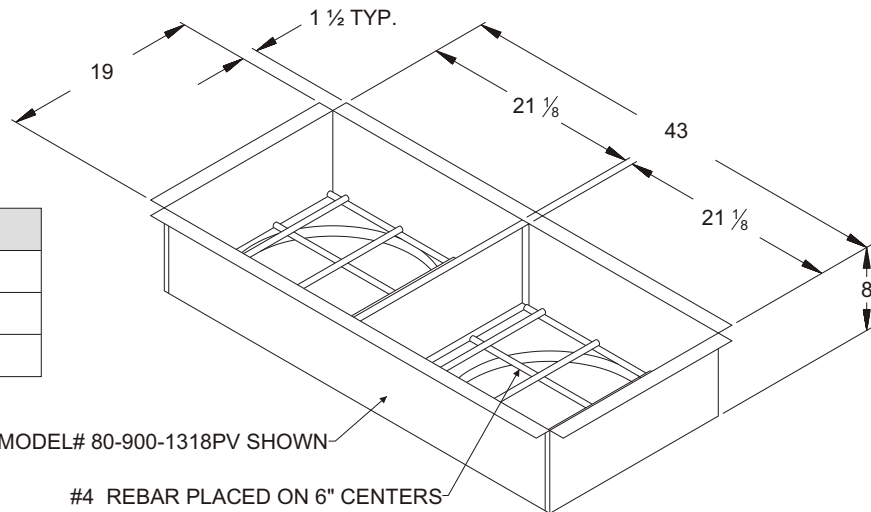


MODEL# 80-490-1318PV SHOWN

MODEL#	DUCT SIZE
80-490-1316PV	16" ROUND
80-490-1318PV	18" ROUND
80-490-1320PV	20" ROUND

**MODEL#: 80-900-13\*\*PV  
CONCENTRIC CURB ADAPTOR  
WITH BURGLAR BARS**

The **80-900-13** Concentric Curb Adaptor with Burglar Bars is designed to drop into the curb and convert the square duct unit connections.



MODEL# 80-900-1318PV SHOWN

#4 REBAR PLACED ON 6" CENTERS

MODEL#	DUCT SIZE
80-900-1316PV	16" ROUND
80-900-1318PV	18" ROUND
80-900-1320PV	20" ROUND

FOR LIST PRICES: FORM#

MARCH 3, 2011 FORM# YKACC13P

