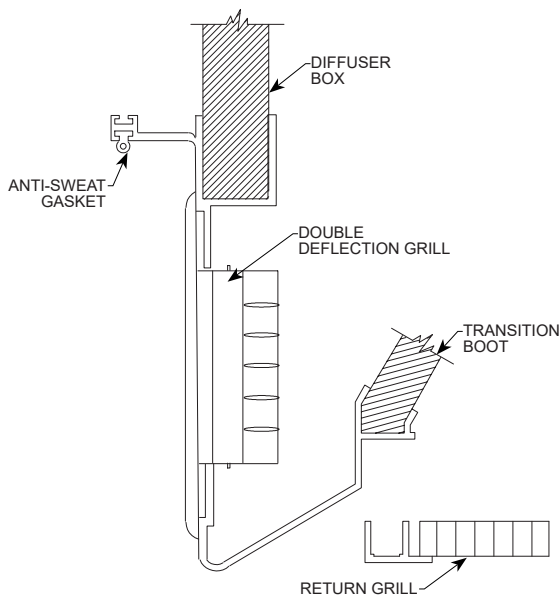
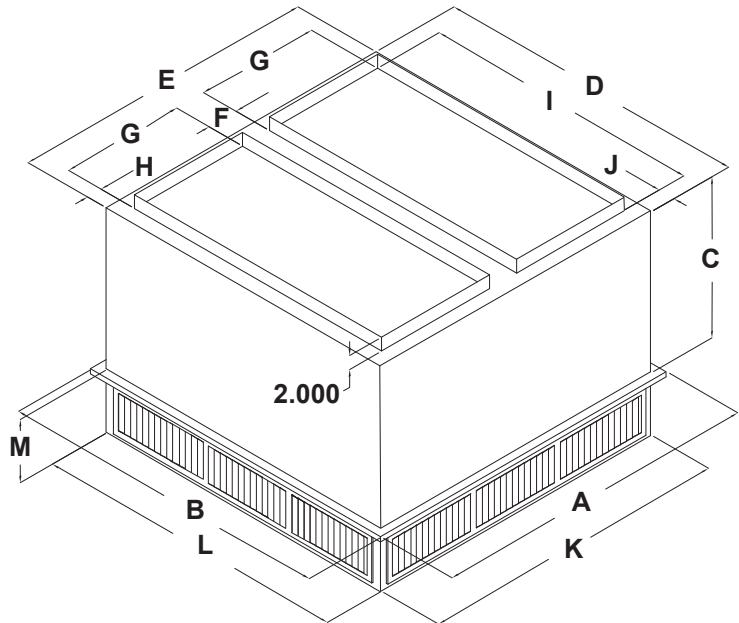


Application

Ruskin Rooftop Systems 530 series concentric diffuser systems are designed to provide a single point air distribution system with the added benefit of having directional air control. The systems may be used with either a "T-Bar" ceiling, a plaster ceiling, or with no ceiling at all.

Features

- Even 4-way air distribution
- All anodized aluminum diffuser frame
- Aluminum return air egg crate
- Double deflection diffuser
- Built-in Anti-Sweat gasket
- Sheet metal transition
- Built-in hanging supports
- Sheet metal diffuser box
- Stainless steel thumb screws
- Fully insulated (both supply and return)



Recommended Specification

Diffusers shall consist of an aluminum supply diffuser with an aluminum egg-crate return. Unit shall be complete with a permanent non-adhesive anti-sweat gasket and hanging supports. Diffusers five ton and smaller shall have a molded fiberglass interior transition. Units fifteen ton and larger shall have supply duct through return transition ensure equal airflow to all four sides of diffuser. Manufacturers published data sheet shall include CFM rating, velocity rating, noise, static, and throw information. Side Discharge mount concentric diffusers shall be in all respects equivalent to Ruskin Rooftop Systems Model 530 Series.

DIMENSIONAL DATA

RRS MODEL#	A	B	C	D	E	F	G	H	I	J	K	L	M	DUCT SIZE
01-530-80B	59.625	59.625	30.625	57.500	57.500	4.500	24	2.500	48	4.750	57.500	57.500	11.125	24 x 48

ENGINEERING DATA

RRS MODEL#	CFM	STATIC PRESSURE	THROW FEET	NECK/JET VEL.	NOISE LEVEL	WEIGHT	GRILL COLOR	FILTER	BOX TYPE
01-530-80B	7200	0.39	33-38	827	25 db	238 lbs	ALUMINUM - GRAY	NOT INCLUDED	SHEET METAL
	7600	0.43	36-41	873					
	8000	0.50	39-44	918	30 db				
	8400	0.56	43-49	964					
	8800	0.63	47-55	1010					

JANUARY 7, 2022 FORM# RRS_53080

SUPERSEDES: 07-07-17