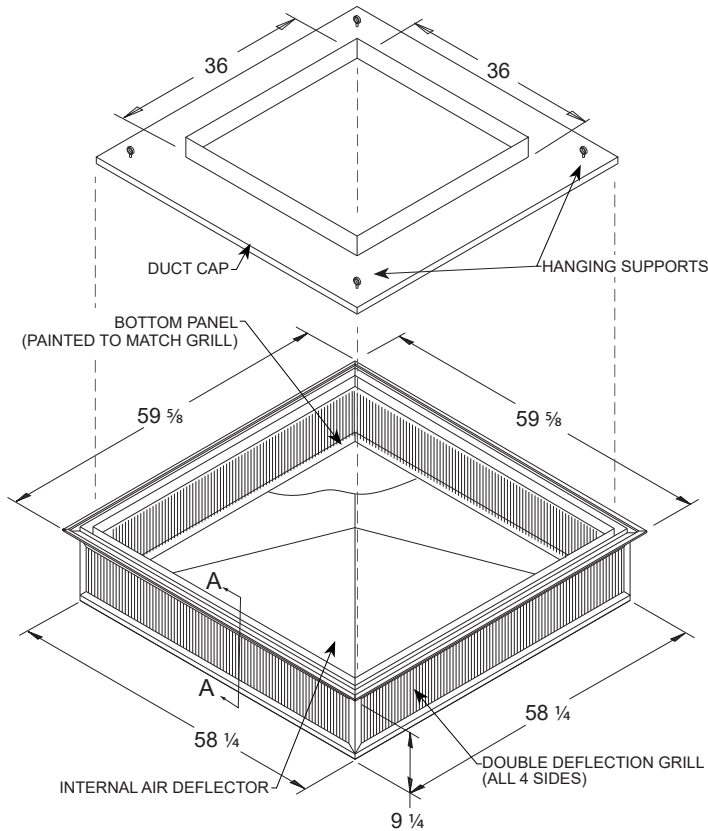


### Application

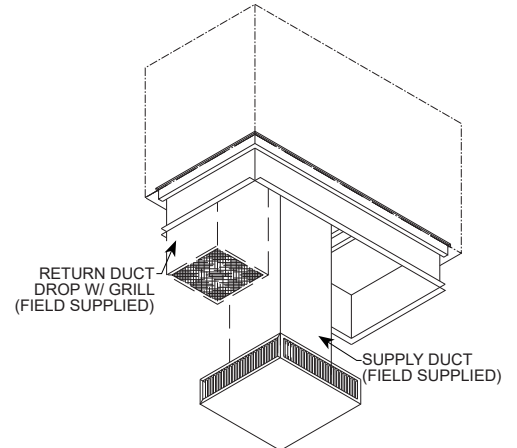
The Ruskin Rooftop Systems 570 series supply diffuser systems are designed to provide an air distribution system with the benefit of having directional air control. The system is ideal for open ceiling applications that need single point supply air with control over where the air is distributed.

### Features

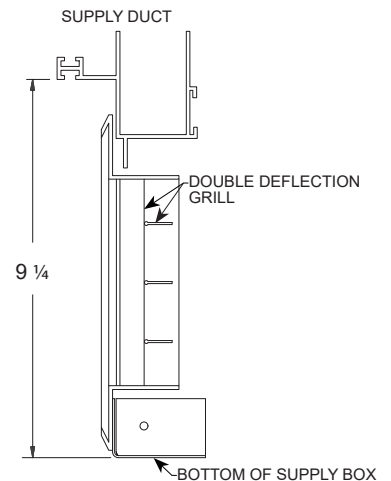
- Lightweight aluminum construction
- Double deflection diffusers with blades secured by spring steel
- Internal precision tuned SOD air deflector (standard)
- **Attached duct cap with built in hanging duct supports**



### Typical Installation



### SECTION A-A



### Recommended Specification

Diffuser shall consist of an extruded aluminum frame and aluminum double deflection supply diffusers. Aluminum double deflection supply diffusers shall be secured by spring steel. Galvanized steel bottom panel shall be minimum 20 gauge with powder coat painted finish to match the aluminum extrusion. Unit shall incorporate an internal air deflector to ensure quiet, even airflow to all sides. Manufacturers published data sheet shall include CFM rating, noise, static, and throw information. Double deflection supply diffusers shall be in all respects equivalent to Ruskin Rooftop Systems Model 570 Series.

### ENGINEERING DATA

RRS MODEL#	CFM	NECK VEL.	STATIC	THROW	NOISE	WEIGHT	GRILL COLOR	DUCT CAP
01-570-8036B	7200	827	0.18	33-38	25 db	175 lbs	ALUMINUM - GRAY	INCLUDED
	8000	918	0.20	39-44				
	8800	1010	0.22	47-55	30 db			
	9600	1101	0.27	54-62				
	10000	1148	0.30	57-65				