

FEATURES

- CA Title 24 Compliant.
- Direct coupled style actuator standard.
- Stainless steel damper side seals.
- AMCA certified CD-60 Airfoil dampers blades.
- Meets leakage rate as required by ASHRAE 90.1.
- External linkage system.
- Mechanically secured outside air intake filter.
- Capable of introducing up to 100% outdoor air.
- Metal Filter Included: 33 1/2" x 10 1/2" x 7/8" (exact)

FEATURES (When Ordered With Control Options)

- Fully modulating damper controls with enthalpy, dry bulb and differential temperature sensor options.
- Selectable economizer changeover temperature set point.
- Requires part number 2ECO402 for Dual Enthalpy.
- CO2 controller standard.

Wall or duct mounted CO2 sensor provided as option:

- CO2WM - Wall Mount
- CO2DM - Duct Mount



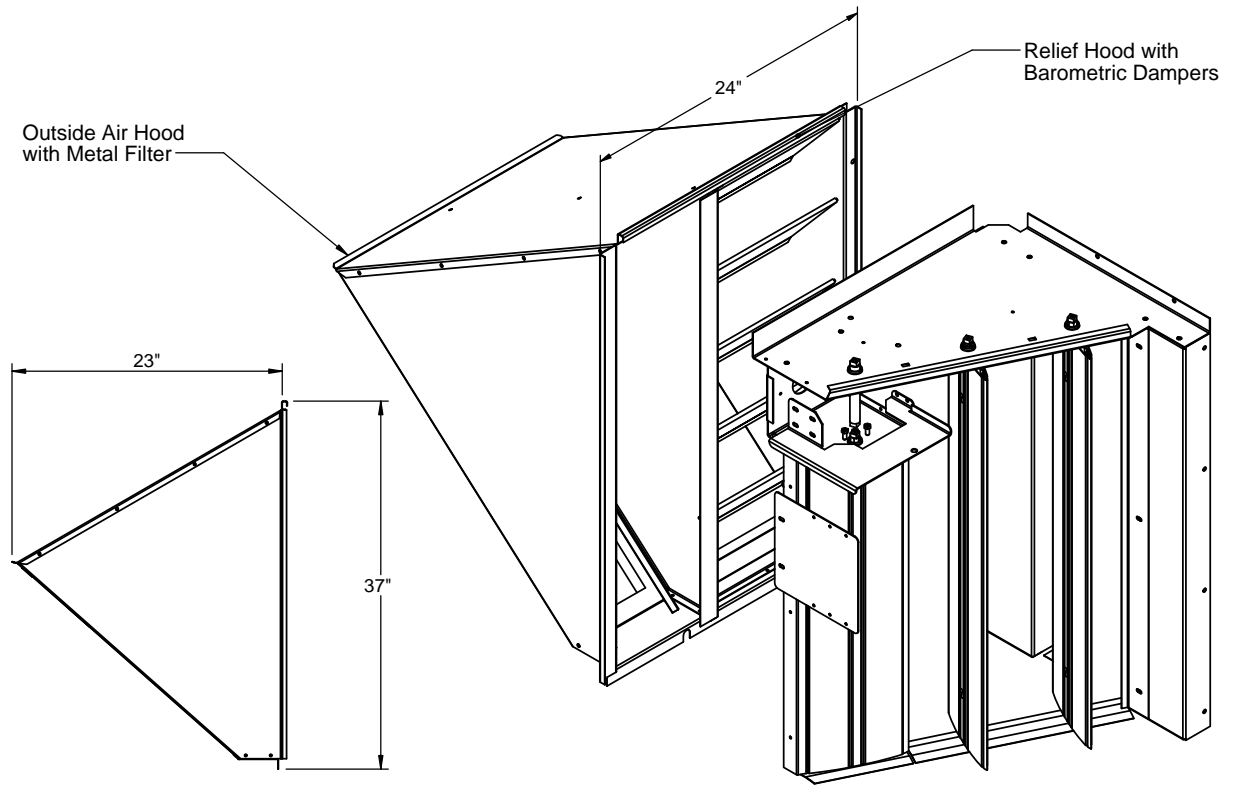
Only Ruskin Company Model CD-60 is AMCA Certified

HORIZONTAL DISCHARGE ECONOMIZER WITH AIRFOIL DAMPER BLADES AND BAROMETRIC RELIEF FOR YORK PRESTIGE UNITS:

ZX 08-14; XX 08-12; ZY 07-12; XY 07-09

York Model	ProVent P/N	Weight
ZX 08; XY, ZY 07	ECOHPRLSDB (Fully Modulating Dry Bulb)	96 Lbs.
	ECOHPRLSEN (Fully Modulating Enthalpy)	
ZX 09-14; XY08-09; ZY 08-12; XX 08-12	ECOHPRLTDB (Fully Modulating Dry Bulb)	
	ECOHPRLTEN (Fully Modulating Enthalpy)	

** INCLUDES CENTER POST AND FILTER ACCESS PANEL **



HOOD SIDE DETAIL



3847 WABASH DR.
MIRA LOMA, CA 91725

PHONE (951) 685-1101
FAX (619) 872-9799

SUBMITTED TO: _____
 COMPANY: _____
 JOB NAME: _____
 EQUIPMENT: _____
 NOTES: _____

FORM NO:
ECO-88

DATE:
4/25/2018

PART NUMBER:
ECOHPRL Series

REV:
6

DRAWN BY:
CNG