

FEATURES

- CA Title 24 Compliant. (includes FDD)
- Direct coupled style actuator standard.
- Stainless steel damper side seals.
- AMCA certified CD-60 Airfoil dampers blades.
- Meets leakage rate as required by ASHRAE 90.1.
- External linkage system.
- Mechanically secured outside air intake filter.
- Capable of introducing up to 100% outdoor air.
- Metal Filter Included: 23" x 5" x 7/8" (exact)

FEATURES (When Ordered With Control Options)

- Fully modulating damper controls with Enthalpy, Dry bulb and differential temperature sensor options.
- Selectable economizer changeover temperature set point.
- Requires part number 6210-0046 for Dual Enthalpy.
- CO2 compatible with DCV.

Wall or duct mounted CO2 sensor provided as option:

- CO2WM - Wall Mount
- CO2DM - Duct Mount



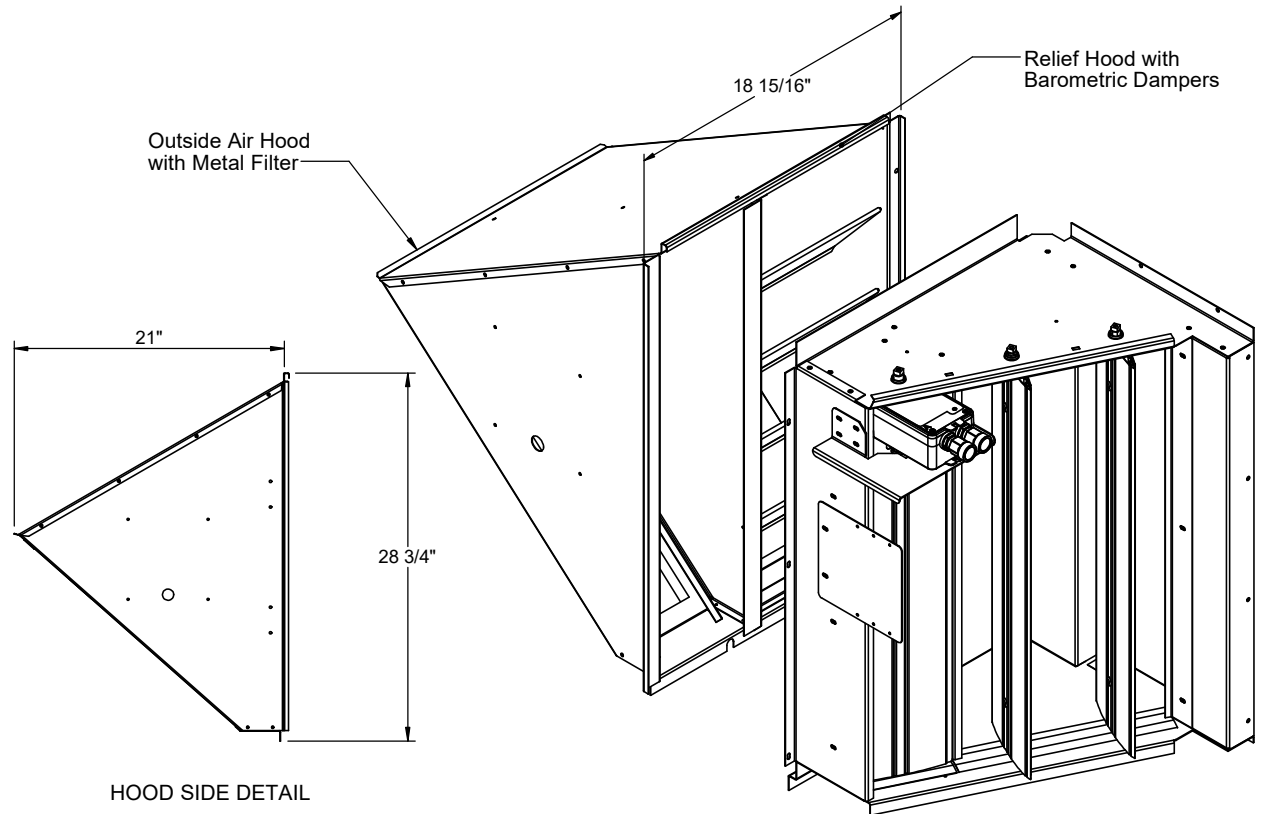
Ruskin Company Model CD-60 is AMCA Certified

HORIZONTAL DISCHARGE ECONOMIZER WITH BAROMETRIC RELIEF FOR YORK CORE UNITS:

**ZX 04-07; XY, ZY, ZQ, XQ 04-06; ZL 04-06; XXA7, ZXA7
KX 04-07; WY, KY, KQ, WQ 04-06; KL 04-06; WXA7, KXA7**

** INCLUDES CENTER POST AND FILTER ACCESS PANEL **

York Model	ProVent P/N	Weight
ZX, KX 04-06; XY, ZY, XQ, ZL 04 WY, KY, WQ, KL 04 ZQ, KQ 04-05	ECOHPRSSDB (Fully Modulating Dry Bulb)	81 Lbs.
	ECOHPRSSEN (Fully Modulating Enthalpy)	
ZX, KX 07; XY, ZY, XQ, ZL 05-06 WY, KY, WQ, KL 05-06 ZQ, KQ 06; XXA7, ZXA7, WXA7, KXA7	ECOHPRSSAC (Actuator Only)	
	ECOHPRSTDB (Fully Modulating Dry Bulb)	
	ECOHPRSTEN (Fully Modulating Enthalpy)	
	ECOHPRSTAC (Actuator Only)	



HOOD SIDE DETAIL



3847 WABASH DR.
MIRA LOMA, CA 91752

PHONE (951) 685-1101
FAX (619) 872-9799

SUBMITTED TO: _____
COMPANY: _____
JOB NAME: _____
EQUIPMENT: _____
NOTES: _____

FORM NO:
ECO-89

DATE:
7/24/2024

PART NUMBER:
ECOHPRS Series

REV:
12

DRAWN BY:
CNG