

FEATURES

- CA Title 24 Compliant.
- Direct coupled style actuator standard.
- Stainless steel damper side seals.
- **AMCA certified CD-60 Airfoil dampers blades.**
- **Meets leakage rate as required by ASHRAE 90.1.**
- External linkage system.
- Mechanically secured outside air intake filter.
- Capable of introducing up to 100% outdoor air.
- Metal Filter 18-3/8" x 26-3/8" x 7/8" (exact) included (Qty-2)

FEATURES (When Ordered With Control Options)

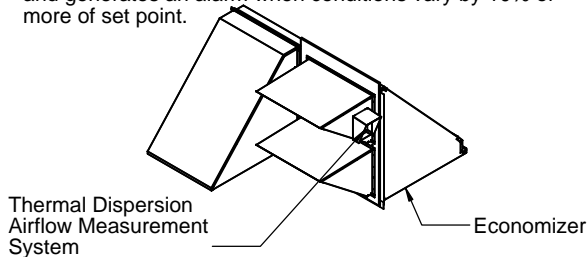
- Fully modulating damper controls with enthalpy, dry bulb and differential temperature sensor options.
- Selectable economizer changeover temperature set point.
- Requires part number 2ECO402 for Dual Enthalpy.
- CO2 controller standard.

Wall or duct mounted CO2 sensor provided as option:

- CO2WM - Wall Mount
- CO2DM - Duct Mount

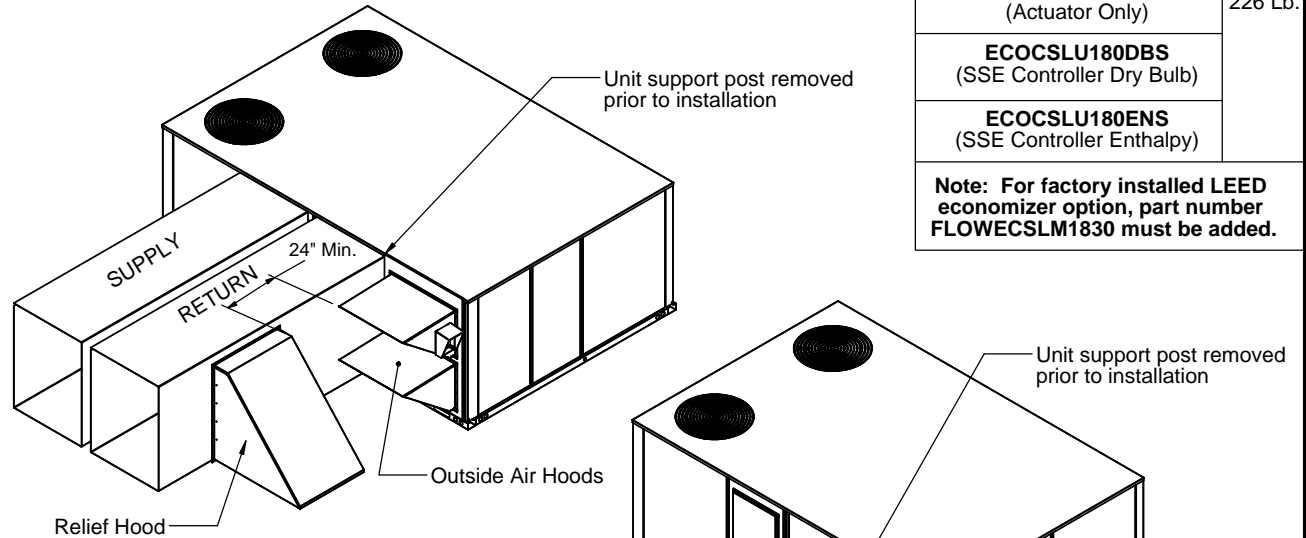
LEED ECONOMIZER OPTION

- ProVent P/N: FLOWECSLM1830
- Outside air measurement for dilution utilizing thermal dispersion technology and ASHRAE 62.1 compliant. Provides LEED credit by supplying feedback on ventilation system performance ensuring that the ventilation system maintains design requirements.
- Provides analog outputs for BMS, visual or audible alert, and generates an alarm when conditions vary by 10% or more of set point.



CONVERTIBLE ECONOMIZER WITH BAROMETRIC RELIEF FOR YORK UNITS

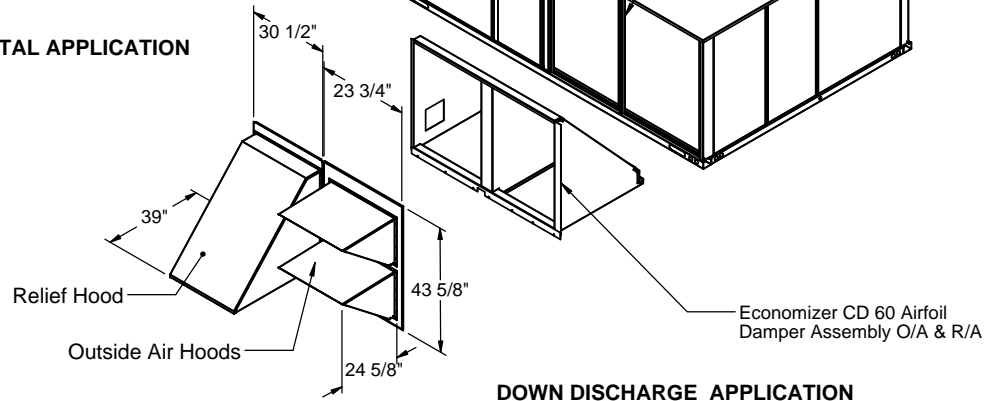
ZF 180



HORIZONTAL APPLICATION



Only Ruskin Company Model CD-60 is AMCA Certified



DOWN DISCHARGE APPLICATION

PROVENT P/N	Wt.
ECOCSLU180DB (Fully Modulating Dry Bulb)	226 Lb.
ECOCSLU180EN (Fully Modulating Enthalpy)	
ECOCSLU180AC (Actuator Only)	
ECOCSLU180DBS (SSE Controller Dry Bulb)	
ECOCSLU180ENS (SSE Controller Enthalpy)	

Note: For factory installed LEED economizer option, part number FLOWECSLM1830 must be added.



3847 WABASH DR.
MIRA LOMA, CA 91725

PHONE (951) 685-1101
FAX (619) 872-9799

SUBMITTED TO: _____
COMPANY: _____
JOB NAME: _____
EQUIPMENT: _____
NOTES: _____

FORM NO:

ECO-92

DATE:

2/15/2016

PART NUMBER:

ECOCSLU180 Series

REV:

7

DRAWN BY:

CNG