

FEATURES

- CA Title 24 Compliant.
- Direct coupled style actuator standard.
- Stainless steel damper side seals.
- AMCA certified CD-60 Airfoil dampers blades.
- Meets leakage rate as required by ASHRAE 90.1.
- External linkage system.
- Mechanically secured outside air intake filter.
- Capable of introducing up to 100% outdoor air.
- Metal Filter included:
 - PRS - 25-1/2" x 11" x 7/8" (exact).
 - PRL - 33-1/2" x 10-1/2" x 7/8" (exact).

FEATURES (When Ordered With Control Options)

- Fully modulating damper controls with enthalpy, dry bulb and differential temperature sensor options.
- Selectable economizer changeover temperature set point.
- Requires part number 2ECO402 for Dual Enthalpy.
- CO2 controller standard.

Wall or duct mounted CO2 sensor provided as option:

- CO2WM - Wall Mount
- CO2DM - Duct Mount



Only Ruskin Company Model CD-60 is AMCA Certified

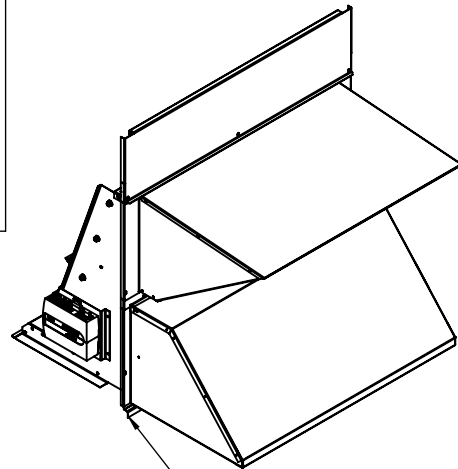
OPTIMIZED DOWN DISCHARGE ECONOMIZER WITH BAROMETRIC RELIEF FOR YORK UNITS:

ZX04-14, ZY04-12, ZQ04-06, XY04-09, XX08-12, XQ04-06, XXA7

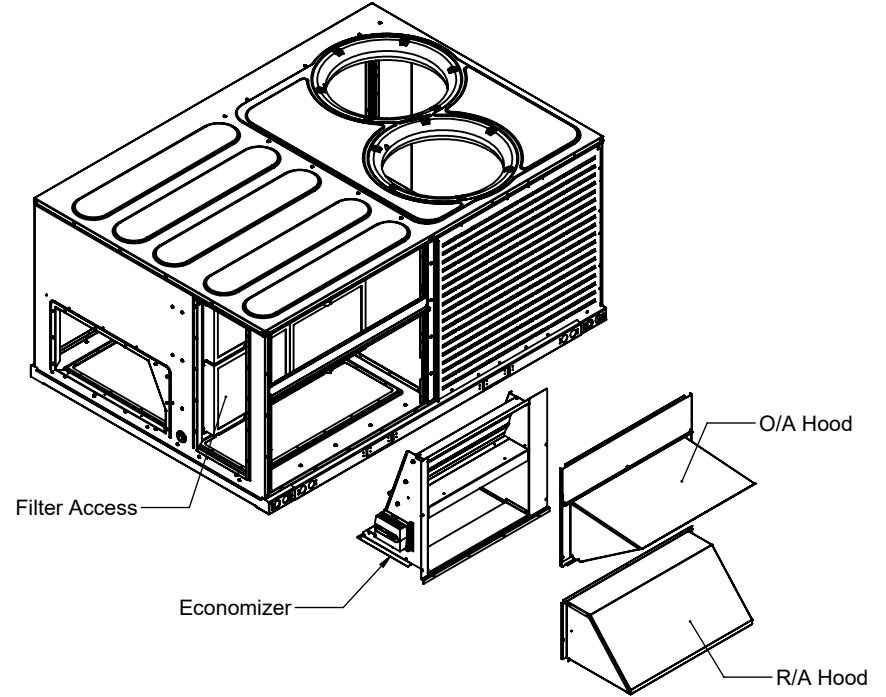
**Note:
Factory Hinged Filter Access Option will not work with this Optimized Economizer.**

York Unit	ProVent P/N	Factory Damper Area	ProVent Optimized Damper Area	Weight
ZX 04-07 ZY 04-06 ZQ 04-06 XY 04-06 XQ 04-06 XXA7	ECODPRDB1 (Fully Modulating Dry Bulb)	O/A 0.94 Sq Ft (5.52"x24.62")	O/A 1.76 Sq Ft (9.79"x25.98")	81 Lbs.
	ECODPREN1 (Fully Modulating Enthalpy)	R/A 1.1 Sq Ft (5.43"x29.18")	R/A 1.74 Sq Ft (9.66"x25.98")	
ZX 08-14 ZY 07-12 XX 08-12 XY 07-09	ECODPRLDB1 (Fully Modulating Dry Bulb)	O/A 1.23 Sq Ft (5.6"x31.77")	O/A 3.6 Sq Ft (15.5"x33.47")	108 Lbs.
	ECODPREN1 (Fully Modulating Enthalpy)	R/A 2.8 Sq Ft (11.2"x36.32")	R/A 3.5 Sq Ft (15.09"x33.47")	

Prestige Large Cabinet Shown



Combination O/A and Relief Hood



3847 WABASH DR.
MIRA LOMA, CA 91725

PHONE (951) 685-1101
FAX (619) 872-9799

SUBMITTED TO: _____
COMPANY: _____
JOB NAME: _____
EQUIPMENT: _____
NOTES: _____

FORM NO:

-

DATE:
10/15/2020

PART NUMBER:

ECODPR_1 Series

REV:
M1

DRAWN BY:
CNG