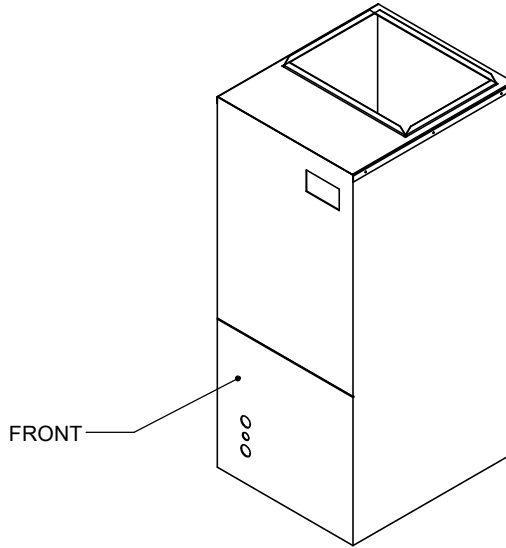


**FEATURES:**

- CA Title 24 Compliant.
- Factory assembled.
- Galvanized steel construction.
- AMCA certified CD-60 Airfoil damper blades.
- Meets leakage as required by ASHRAE 90.1
- Fully insulated.
- Direct coupled actuator.
- Controls package:
  - Includes dry bulb or enthalpy fully modulating controls. w/relay signal switch.
  - Specific control type: Add the two digits below to the Part Number:
    - DB For dry bulb control.
    - EN For enthalpy control.

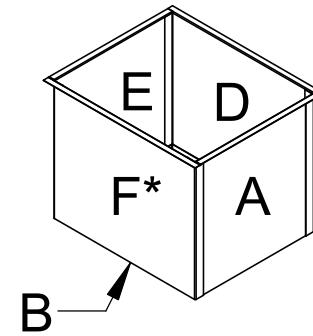
**DAMPER MIXING BOXES FOR YORK AIR HANDLERS  
AVC, AVV, AE, JHVV, JHET, JHVT**



| UNIT SIZE   | PART NUMBER  | CONTROL TYPE  | "A"     | "B"     | "C"      | EST. WT |
|---|--------------|---------------|---------|---------|----------|---------|
| AVC18-36B<br>AVV25-38B<br>AE18-36B<br>JHVVB24-36<br>JHETB18-36<br>JHVTB18-36  | MB-AVB-AC-** | ACTUATOR ONLY | 15-1/2" | 14"     | 18- 1/2" | 64 LBS. |
|   | MB-AVB-DB-** | DRY BULB      |         |         |          |         |
|   | MB-AVB-EN-** | ENTHALPY      |         |         |          |         |
| AVC36-60C<br>AVV37C-61C<br>AE36-60C<br>JHVVC36-60<br>JHETC36-60<br>JHVTC36-60 | MB-AVC-AC-** | ACTUATOR ONLY | 19"     | 18"     | 18-1/2"  | 72 LBS. |
|   | MB-AVC-DB-** | DRY BULB      |         |         |          |         |
|   | MB-AVC-EN-** | ENTHALPY      |         |         |          |         |
| AVC48-60D<br>AVV49-61D<br>AE48-60D<br>JHVVD48-60<br>JHETD48-60<br>JHVTD42-60  | MB-AVD-AC-** | ACTUATOR ONLY | 22-1/2" | 18-1/2" | 22"      | 83 LBS. |
|   | MB-AVD-DB-** | DRY BULB      |         |         |          |         |
|   | MB-AVD-EN-** | ENTHALPY      |         |         |          |         |

**\*\* Damper Locations**

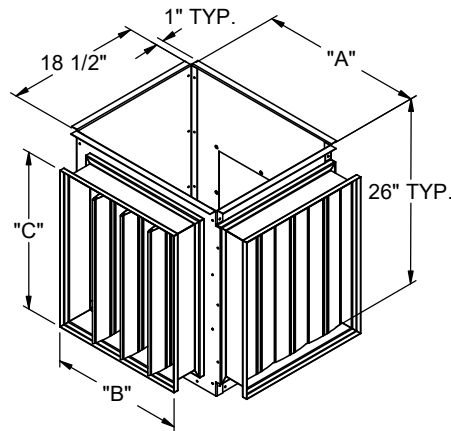
A, B, F, D, and E.  
First Letter is RETURN AIR damper



\* F Position represents front of Mixing Box which will always match to front of Air Handler.



Ruskin Company Model CD-60 is AMCA Certified



Example Shown  
P/N: MB-AV\*-\*\*-FA



3847 WABASH DRIVE  
MIRA LOMA, CA 91725

PHONE (951) 685-1101  
FAX (619) 872-9799

SUBMITTED TO: \_\_\_\_\_  
COMPANY: \_\_\_\_\_  
JOB NAME: \_\_\_\_\_  
EQUIPMENT: \_\_\_\_\_  
NOTES: \_\_\_\_\_

FORM NO:  
-

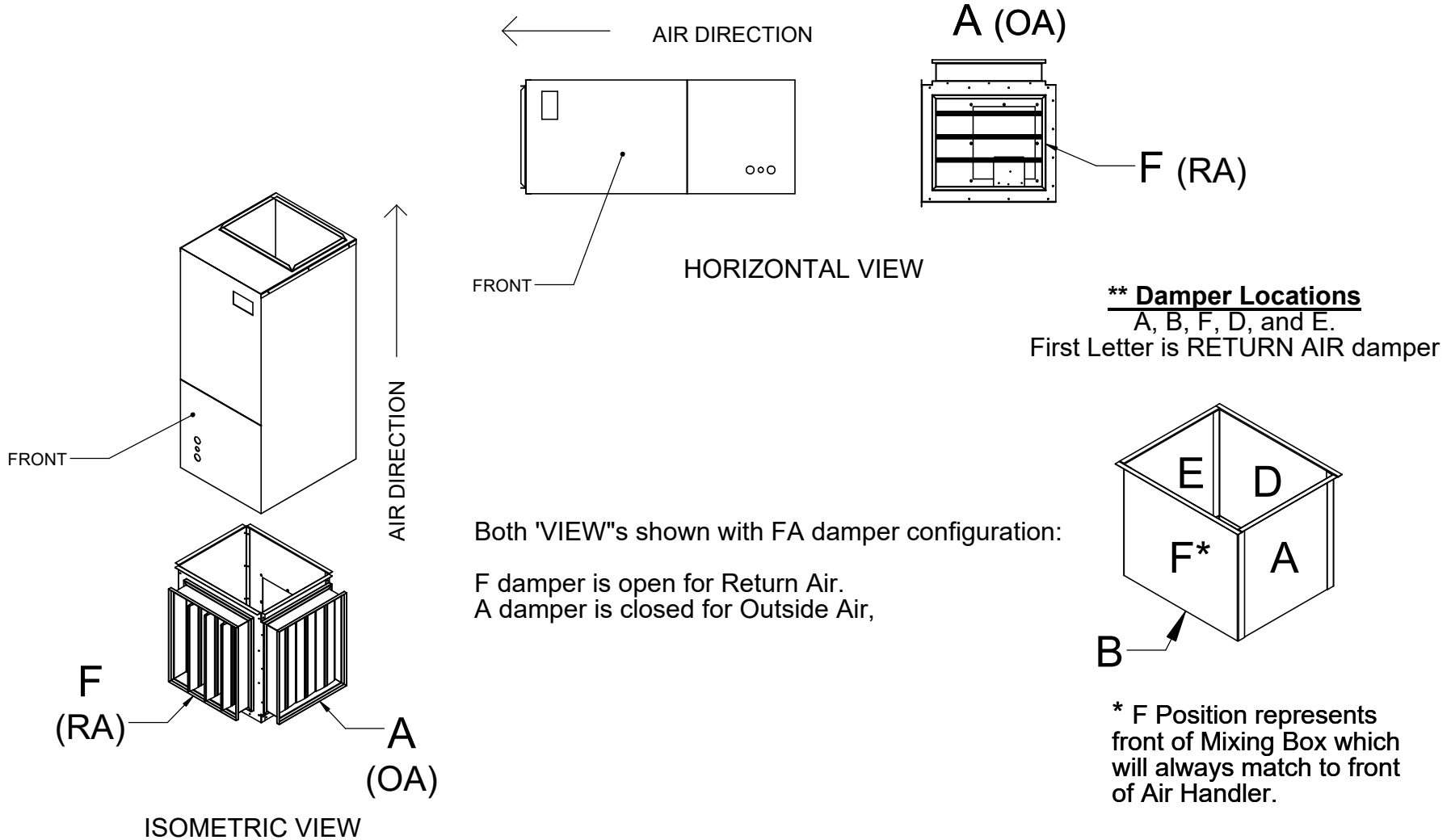
PART NUMBER:  
MB-AV SERIES

DATE:  
2/23/2024

REV:  
5

DRAWN BY:  
CNG

MIXING BOX DAMPER CONFIGURATION FOR AIR HANDLERS



3847 WABASH DRIVE  
MIRA LOMA, CA 91725

PHONE (951) 685-1101  
FAX (619) 872-9799

SUBMITTED TO: \_\_\_\_\_  
COMPANY: \_\_\_\_\_  
JOB NAME: \_\_\_\_\_  
EQUIPMENT: \_\_\_\_\_  
NOTES: \_\_\_\_\_

FORM NO:  
-  
DATE:  
5/10/2024

PART NUMBER:  
MB DAMPER CONFIG  
REV:  
-  
DRAWN BY:  
CNG