

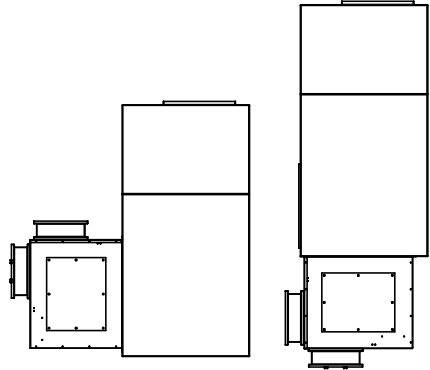
**MIXING BOX FOR YORK
SPLIT-SYSTEM EVAPORATOR BLOWERS:
NC, NL 090-120; ND, NM 120; NC, NL 180; ND, NM 180;
NC, NL 240; ND, NM 240;
NC 300; ND 360; ND 480; ND 600 UNITS**

FEATURES:

- CA Title 24 Compliant.
- Factory Assembled.
- Galvanized steel construction.
- Fully insulated.
- AMCA certified CD-60 Airfoil dampers and blades.
- Meets leakage as required by ASHRAE 90.1
- RRS modulating controls with selectable dry bulb or enthalpy are standard for typical thermostat connections.
- Direct coupled actuator.

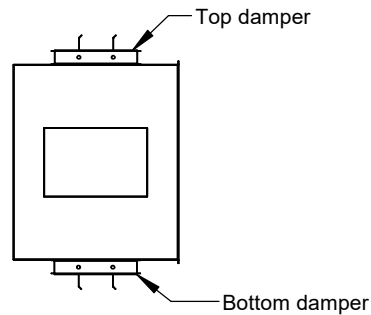
NOTE:

IF USING THE YORK SA-BUS AND CONNECTING TO A BAS, ADD AN "S" TO THE END OF THE PART NUMBER FOR YORK SE CONTROLS



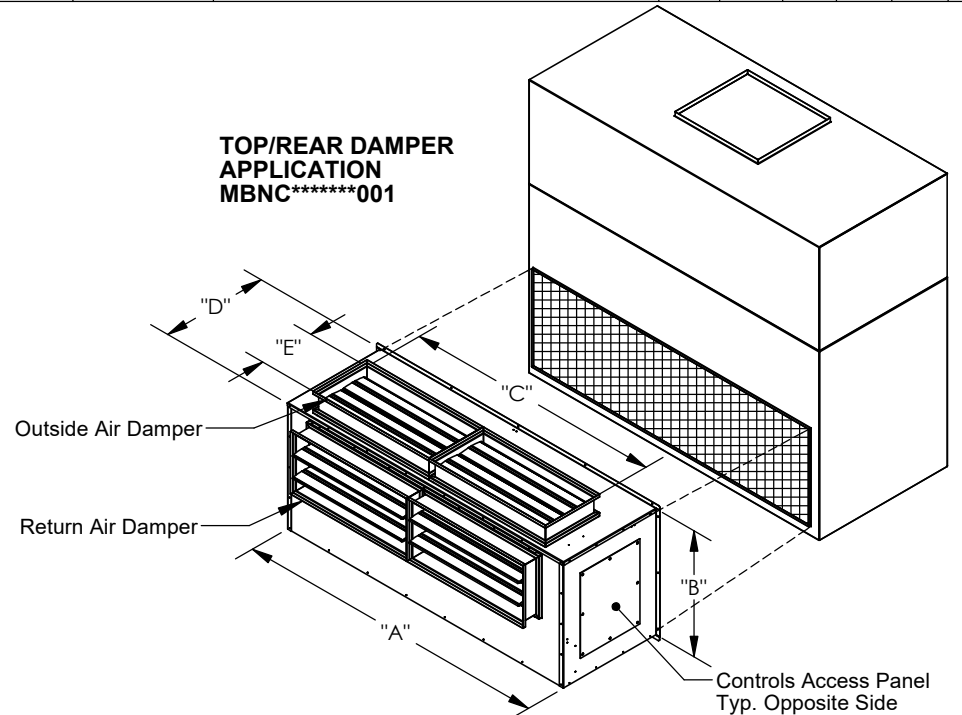
Vertical Application

Horizontal Application



**SIDE PROFILE FOR TOP/BOTTOM DAMPER APPLICATION
USE P/N: MBNC*****002**

**TOP/REAR DAMPER APPLICATION
MBNC*****001**



UNIT SIZE	PART NUMBER	CONTROL TYPE	A	B	C	D	E	EST.WT
NC, NL 090-120; ND, NM 120	MBNC9012AC001	ACTUATOR ONLY	52 5/8"	21 1/4"	45"	24"	14"	125 LBS.
	MBNC9012DB001	MODULATING CONTROLS WITH SELECTABLE DRY BULB						
	MBNC9012EN001	MODULATING CONTROLS WITH ENTHALPY						
NC 180; ND 180 NL 180; NM 180	MBNC180AC001	ACTUATOR ONLY	71 1/8"	28 1/4"	60"	24"	14"	195 LBS.
	MBNC180DB001	MODULATING CONTROLS WITH SELECTABLE DRY BULB						
	MBNC180EN001	MODULATING CONTROLS WITH ENTHALPY						
NC 240; ND 240 NL 240; NM 240	MBNC240AC001	ACTUATOR ONLY	95 1/8"	21 1/4"	78"	24"	14"	220 LBS.
	MBNC240DB001	MODULATING CONTROLS WITH SELECTABLE DRY BULB						
	MBNC240EN001	MODULATING CONTROLS WITH ENTHALPY						
NC 300; ND 360	MBNC360AC001	ACTUATOR ONLY	95 1/8"	33 1/4"	78"	30"	22"	320 LBS.
	MBNC360DB001	MODULATING CONTROLS WITH SELECTABLE DRY BULB						
	MBNC360EN001	MODULATING CONTROLS WITH ENTHALPY						
ND 480	MBNC480AC001	ACTUATOR ONLY	98 1/8"	40 1/2"	78"	40"	30"	420 LBS.
	MBNC480DB001	MODULATING CONTROLS WITH SELECTABLE DRY BULB						
	MBNC480EN001	MODULATING CONTROLS WITH ENTHALPY						
ND 600	MBNC600AC001	ACTUATOR ONLY	98 1/8"	49 1/2"	78"	48"	38"	520 LBS.
	MBNC600DB001	MODULATING CONTROLS WITH SELECTABLE DRY BULB						
	MBNC600DB001	MODULATING CONTROLS WITH ENTHALPY						



3847 WABASH DRIVE
MIRA LOMA, CA 91752

PHONE (951) 685-1101
FAX (619) 872-9799

SUBMITTED TO: _____
COMPANY: _____
JOB NAME: _____
EQUIPMENT: _____
NOTES: _____

FORM NO:
MBNC-101

DATE:
3/7/2024

PART NUMBER:
MBNC SERIES

REV:
14

DRAWN BY:
FMM