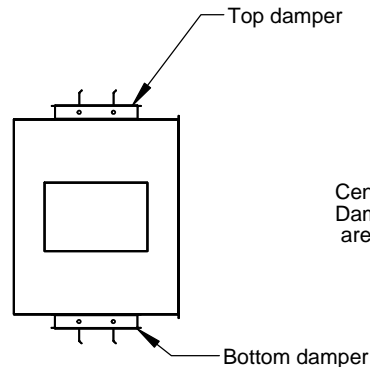


**MIXING BOX FOR YORK
SPLIT-SYSTEM EVAPORATOR BLOWERS:
NC, NL 090-120; ND, NM 120; NC, NL 180; ND, NM 180; NC,
NL 240; ND, NM 240;
NC 300; ND 360; ND 480; ND 600 UNITS**

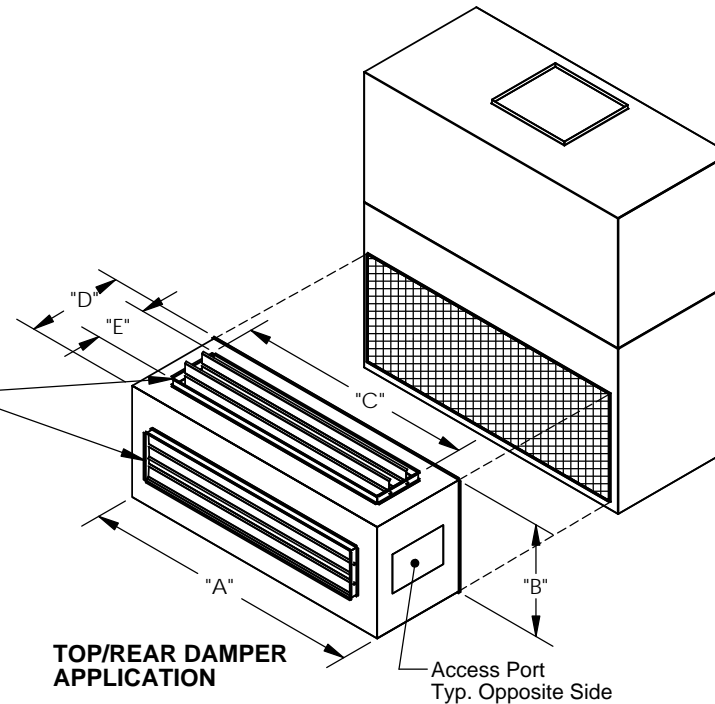
UNIT SIZE	PART NUMBER	CONTROL TYPE	A	B	C	D	E	EST.WT
NC, NL 090-120; ND, NM 120	MBNC9012NC001	NO CONTROLS	52 5/8"	21 1/4"	45"	24"	14"	92 LBS.
	MBNC9012DB001	MODULATING CONTROLS WITH SELECTABLE DRY BULB						
	MBNC9012EN001	MODULATING CONTROLS WITH ENTHALPY						
NC 180; ND 180 NL 180; NM 180	MBNC180NC001	NO CONTROLS	71 1/8"	28 1/4"	60"	24"	14"	115 LBS.
	MBNC180DB001	MODULATING CONTROLS WITH SELECTABLE DRY BULB						
	MBNC180EN001	MODULATING CONTROLS WITH ENTHALPY						
NC 240; ND 240 NL 240; NM 240	MBNC240NC001	NO CONTROLS	95 1/8"	21 1/4"	78"	24"	14"	138 LBS.
	MBNC240DB001	MODULATING CONTROLS WITH SELECTABLE DRY BULB						
	MBNC240EN001	MODULATING CONTROLS WITH ENTHALPY						
NC 300; ND 360	MBNC360NC001	NO CONTROLS	95 1/8"	33 1/4"	78"	30"	22"	169 LBS.
	MBNC360DB001	MODULATING CONTROLS WITH SELECTABLE DRY BULB						
	MBNC360EN001	MODULATING CONTROLS WITH ENTHALPY						
ND 480	MBNC480NC001	NO CONTROLS	98 1/8"	40 1/2"	78"	40"	30"	202 LBS.
	MBNC480DB001	MODULATING CONTROLS WITH SELECTABLE DRY BULB						
	MBNC480EN001	MODULATING CONTROLS WITH ENTHALPY						
ND 600	MBNC600NC001	NO CONTROLS	98 1/8"	49 1/2"	78"	48"	38"	242 LBS.
	MBNC600DB001	MODULATING CONTROLS WITH SELECTABLE DRY BULB						
	MBNC600EN001	MODULATING CONTROLS WITH ENTHALPY						

FEATURES:

- CA Title 24 Compliant.
- Factory Assembled.
- Galvanized steel construction.
- Fully insulated.
- AMCA certified CD-60 Airfoil dampers and blades.
- Meets leakage as required by ASHRAE 90.1
- Optional modulating controls with selectable dry bulb or enthalpy are available.
- Direct coupled actuator.



Centered in width.
Damper dimensions
are typical.



**SIDE PROFILE FOR TOP/BOTTOM APPLICATION
USE P/N: MBNC*****002**



3847 WABASH DRIVE
MIRA LOMA, CA 91752

PHONE (951) 685-1101
FAX (619) 872-9799

SUBMITTED TO: _____
COMPANY: _____
JOB NAME: _____
EQUIPMENT: _____
NOTES: _____

FORM NO:
MBNC-101

DATE:
1/30/2018

PART NUMBER:
MBNC SERIES

REV:
11

DRAWN BY:
CNG